

Pix single socket

Product number: 7053088

Configuration: with Swiss socket

Configuration options

7053074 | with two-pin earthed plug

7053087 | with Belgian/French socket

7053088 | with Swiss socket

✓ Built-in socket element

✓ 1 x with Swiss socket

✓ round

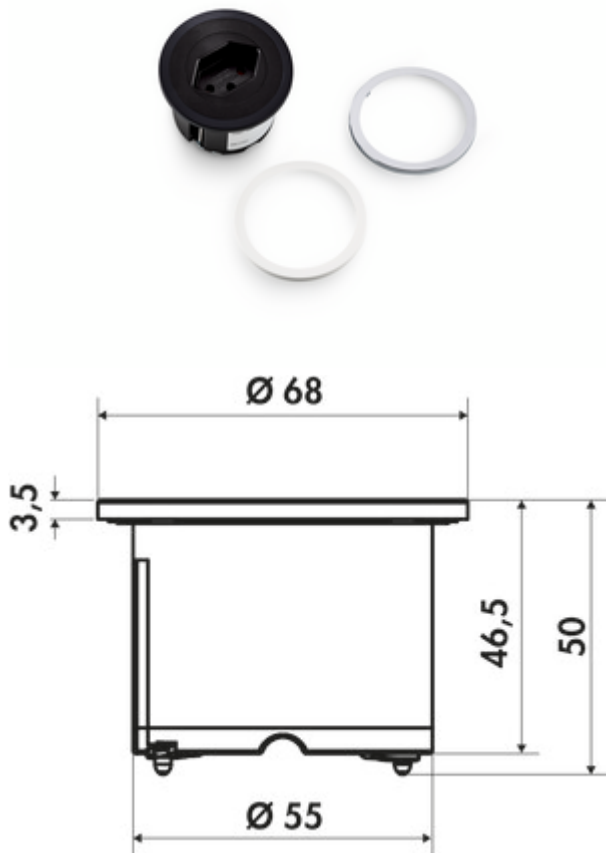
Socket element, 1-fold. Ornamental ring stainless steel coloured, black and white. For installation in worktop, front panel or side wall.

— drill \varnothing 56 mm

— installation depth ca. 45 mm

— 2000 mm mains connection line, two-pin earthed plug supplied loose (permanently installed in swiss version)

— cable outlet back



[more infos...](#)

Technical data

Article type	Socket element	Shape	round
Height	3,5 mm	Length of the supply line (primary)	2.000 mm
Drilling diameter	56 mm	Installation depth	50 mm
Width	68 mm	Version sockets	1 x with Swiss socket
Cable outlet	cable outlet back	Colour socket	black
Mounting/Fixing	installation front panel side wall in the worktop	Type of socket element	Built-in socket element
Certification	CE	Number of sockets (total)	1

Accessories

7053110 Lid, Accessory, stainless steel coloured

Recommendations

7053153 Hole saw, \varnothing 57 mm, for Pix