

Angle bracket Siena

Product number: 3033187

Configuration: black matt

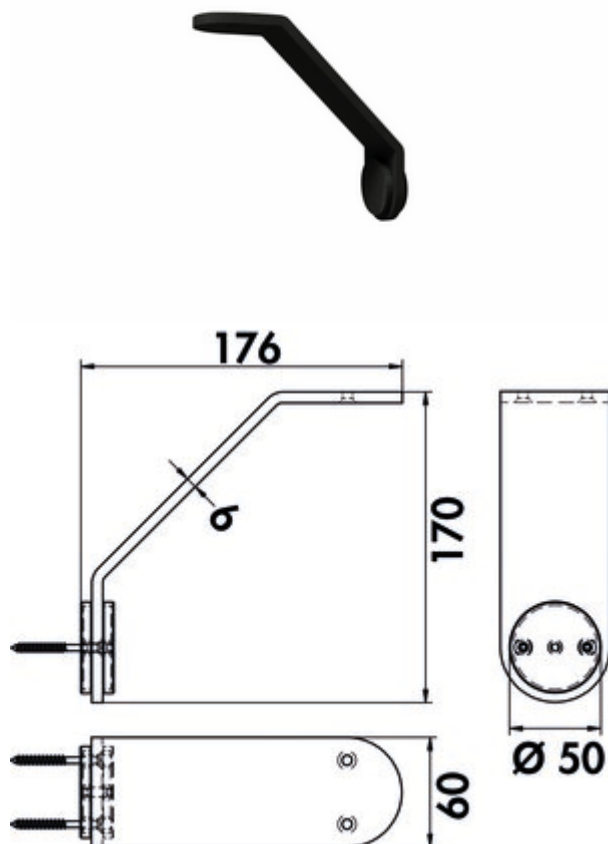
Configuration options

3033187 | black matt

- ✓ Frame
- ✓ Material: powder coated steel sheet

For side mounting on the body or wall and for stabilisation of corner joints. With an elegant round cover plate for concealed installation.

- powder-coated steel
- 170 x 170 x 60 mm (H x W x D)
- material thickness 6 mm
- angle 45°
- bearing capacity 30 kg/bracket



[more infos...](#)

Technical data

Article type	Frame	Mounting/Fixing	With concealed fastening installation in the wall
Warranty	2-year Naber warranty (except for wear parts); the general warranty conditions of Naber GmbH apply.	Carrying capacity	30 kg/bracket
Width	170 mm	Inclination angle	45°
Material	powder coated steel sheet		