

F-RBV 150 pipe bend vertical 90°

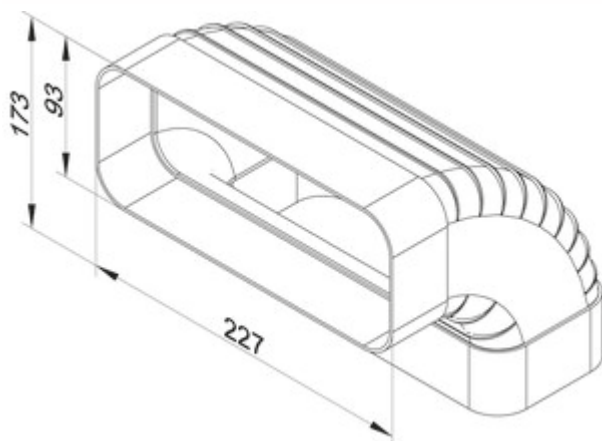
Product number: 4043004

Configuration: white

Configuration options

4043004 | white

- ✓ Connecting element
 - ✓ Plug-in system for subsequent gluing
- With guide vanes and sleeves integrated on both sides.



[more infos...](#)

Technical data

Article type	Connecting element	Connection diameter	150 mm
Width	173,5 mm	System dimension	150
Material	polypropylene	Output drive	angular
Mounting/Fixing	Plug-in system for subsequent gluing	Ventilation system	COMPAIR flow 150
Shape	angular		

