

## Colonna

Product number: 3013044

Configuration: stainless steel, H 1055 mm

### Configuration options

3013044 | stainless steel, H 1055 mm

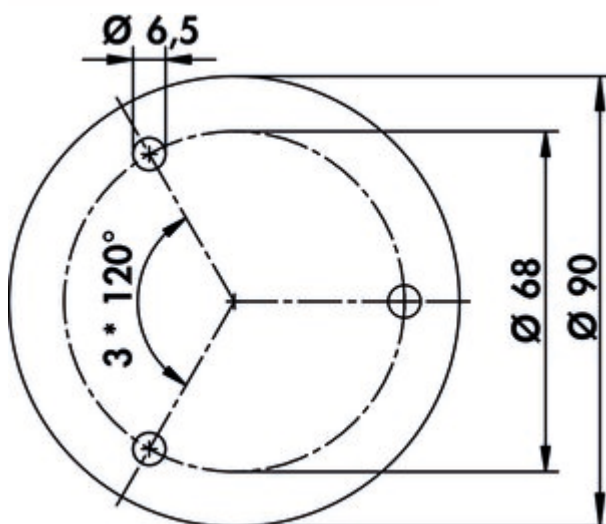
3013073 | stainless steel, H 1160 mm

- ✓ Support foot
- ✓ Material: stainless steel
- ✓ round

Supporting foot. Linear in appearance, with washer, may be shortened. Suitable for: base leveller Cippo and console Capitello.

- tube  $\varnothing$  45 mm
- plus 10 mm height adjustment
- load-bearing capacity ca. 200 kg

When using the glass adapter disk (3021056) bonding should be carried out by a glazier. The disc should be bolted from the bottom.



[more infos...](#)

### Technical data

Article type	Support foot	Carrying capacity	ca. 200 kg
Material	stainless steel	Tube dimension	$\varnothing$ 45 mm
Properties	can be shortened rust-free	Diameter bearing surface	90 mm
Note	When using the glass adapter disk (3021056) bonding should be performed by a glazier.	Height adjustment	10 mm
Shape	round	Support element version	straight
With mounting plate	No		

### Accessories

3021056	Glass adapter disk, Accessory, stainless steel, $\varnothing$ 90 mm
---------	---

## Recommendations

3013040	Cippo, Base leveller, stainless steel, H 145 mm
3013041	Cippo, Base leveller, stainless steel, H 195 mm
3013042	Capitello 1, Console, stainless steel, H 145 mm, tube Ø 45 mm
3013043	Capitello 1, Console, stainless steel, H 195 mm, tube Ø 45 mm
3013049	Capitello 1, Console, chrome polished, H 145 mm, tube Ø 45 mm
3013057	Capitello 1, Console, chrome polished, H 195 mm, tube Ø 45 mm
3021072	Capitello 2, Console, chrome polished, H 170 mm, tube Ø 45 mm
3021073	Capitello 2, Console, chrome polished, H 210 mm, tube Ø 45 mm
3021075	Capitello 2, Console, stainless steel, H 170 mm, tube Ø 45 mm
3021076	Capitello 2, Console, stainless steel, H 210 mm, tube Ø 45 mm
3021074	Capitello 3, Console, stainless steel, H 183 mm, tube Ø 45 mm
3021079	Capitello 3, Console, chrome polished, H 183 mm, tube Ø 45 mm
3021089	Capitello 4, Console, stainless steel, H 180 mm, tube Ø 45 mm

Dimensional sketch (PDF)

