

Prova colour change LED

Product number: 7061209

Configuration: single lamp, L 2600 mm, black matt

Configuration options

7061207 | single lamp, L 2600 mm, stainless steel coloured

7061209 | single lamp, L 2600 mm, black matt

- ✓ Rear wall top light
- ✓ 2700 K warm white to 6500 K cold white
- ✓ straight

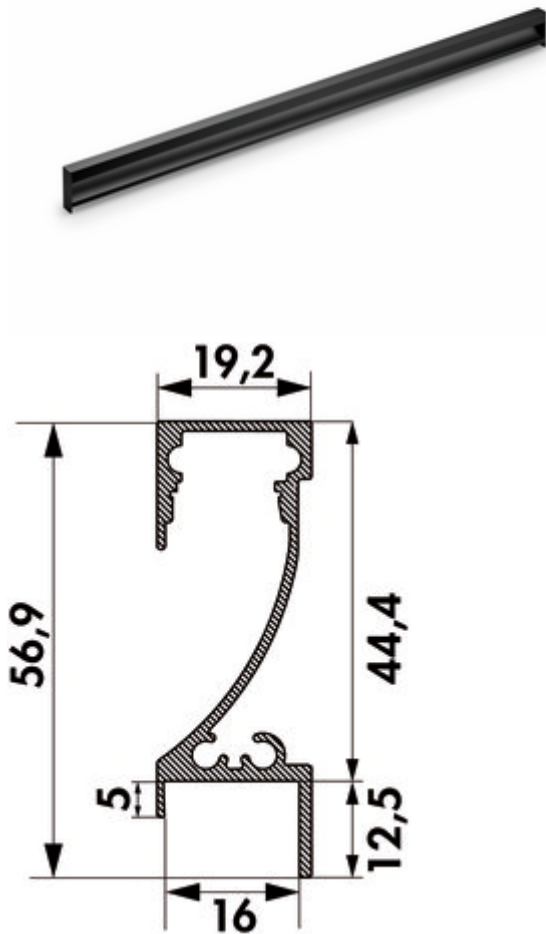
Top-mounted lamp for rear walls. Aluminium LED profile, can be shortened every 25 mm, no visible LED points.

Individual lamp

- 31.2 watts, 12 V
- continuous control of the light colour from 2700 K warm white to 6500 K cold white
- max. 80 lumen/watt at 6500 K cold white
- light length 2600 mm
- 2000 mm two-sided supply line
- LED strip 2600 mm, two-sided feed-in
- for 16 mm wall thickness
- LIC/MEC LED system compatible

This product contains a light source of energy efficiency class G.

More information about the LIC/MEC LED system



[more infos...](#)

Technical data

Article type	Luminaire	Illuminant included	Yes
Width	2.600 mm	Housing colour	black matt
Energy efficiency class	G	Colour temperature	2700 K warm white to 6500 K cold white
Transformer / converter required	Yes, must be ordered separately	Colour temperature adjustable	stepless
Protection class	III	LIC system compatible	Yes
Mounting/Fixing	attachable	Illuminant type	LED
Material housing	aluminium	Replaceable illuminant	No
Surface/coating	matt	Light yield	max. 80 lumen/watt at 6500 K cold white
Shortenability	may be shortened every 25 mm	Connection	On both sides
Shape	straight	Homogeneous light field without visible LED points	Yes
Length of the supply line (primary)	2.000 mm	Design	Rear wall top light
Suitable wall thickness	for 16 mm wall thickness	Illuminant power	31.2 watts

Accessories

7061286	FW function converter, module 2 (radio), 15 W, 4-way distributor
7061271	FW function converter, module 2 (radio), 30 W, 6-way distributor
7061273	FW function converter, module 2 (radio), 60 W, 6-way distributor
7061287	FW function converter, module 3 (Bluetooth + radio), 15 W, 4-way distributor
7061281	FW function converter, module 3 (Bluetooth + radio), 30 W, 6-way distributor
7061283	FW function converter, module 3 (Bluetooth + radio), 60 W, 6-way distributor
7061285	1-channel colour change remote control, white
7061244	Distributor 12 V, Distributor, black
7061208	Prova 90° connecting corner element, Connection line/element, stainless steel coloured
7061220	Prova 90° connecting corner element, Connection line/element, black matt
7061049	LED connection line, Connecting element, white, L 2000 mm
7061305	Prova colour change LED strip, LED stripe, L 2600 mm, 31.2 W/12 V
7061403	MEC Driver LED converter, 60/72 W, 12/24 V
7061426	MEC Driver LED 1-channel module radio/ZigBee, Accessory, 12 V
7061428	MEC Driver LED 4-channel module radio/ZigBee, Accessory, 12 V
7061431	MEC Driver LED remote control 1+4 channel ZigBee, white