

F-RBH 150 pipe bend horizontal 15°



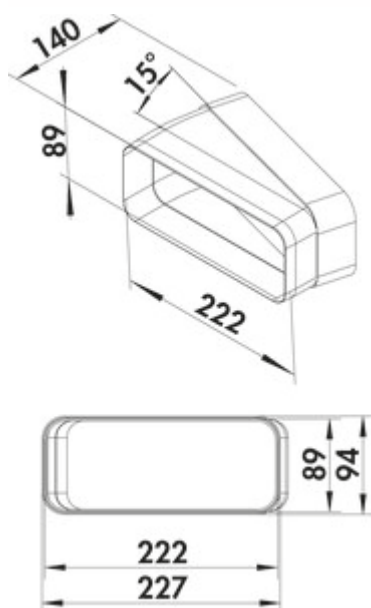
Product number: 4043007

Configuration: white

Configuration options

4043007 | white

- ✓ Connecting element
 - ✓ Plug-in system for subsequent gluing
- With sleeve integrated on one side.



[more infos...](#)

Technical data

Article type	Connecting element	Outer diameter	150 mm
Width	140 mm	System dimension	150
Material	polypropylene	Output drive	angular
Mounting/Fixing	Plug-in system for subsequent gluing	Ventilation system	COMPAIR flow 150
Shape	angular		

