

Korfu 1



Product number: 3021177
 Configuration: stainless steel coloured, H 170 mm

Configuration options

3021177 | stainless steel coloured, H 170 mm

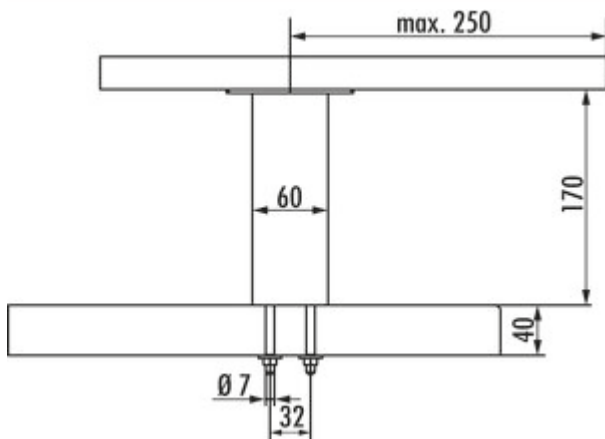
- ✓ Console
- ✓ straight

Console.

— straight

— elegant design 60 x 10 mm

— max. load per pair approx. 60 kg given even distribution, max. spacing of the consoles of 900 mm and max. projection of the plates of 250 mm



[more infos...](#)

Technical data

Article type	Console	With mounting plate	Yes
Width	60 mm	Carrying capacity	max. load per pair approx. 60 kg given even distribution, max. spacing of the consoles of 900 mm and max. projection of the plates of 250 mm
Note	When using the glass adapter disk (3021176) bonding should be performed by a glazier.		
Shape	angular	Support element version	straight
		Dimensions support surface	100 x 80 mm

Accessories

3021176	Glass adapter disk, Accessory, stainless steel, Ø 50 mm
---------	---

Dimensional sketch (PDF)

