

N-RBV 100 pipe bend vertical 90°

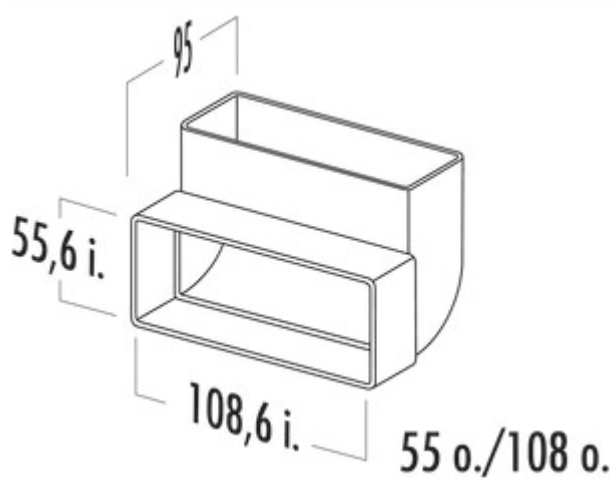
Product number: 4011012

Configuration: white

Configuration options

4011012 | white

- ✓ Connecting element
 - ✓ Plug-in system for subsequent gluing
- With sleeve integrated on one side.



[more infos...](#)

Technical data

Article type	Connecting element	Connection diameter	100 mm
Width	95 mm	System dimension	100
Mounting/Fixing	Plug-in system for subsequent gluing	Output drive	angular
Shape	angular		