

Odour trap 2, flexible

Product number: 1051161

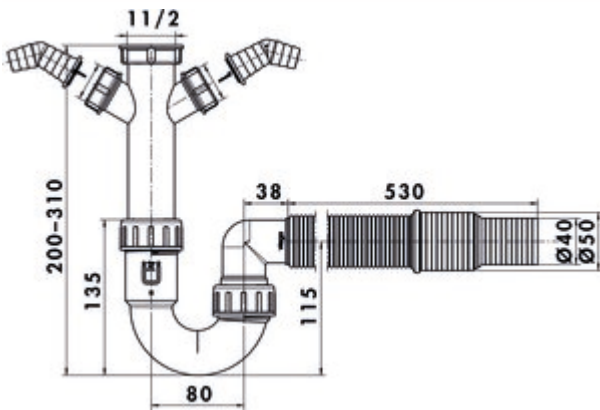
Configuration: Connecting sleeve Ø 40/50 mm

Configuration options

1051161 | Connecting sleeve Ø 40/50 mm

- ✓ Siphon
- ✓ Material: plastic

The flexible connection of this standard siphon solves almost any plumbing problem. With two appliance connections for a dishwasher or washing machine. Drain hose may be shortened.



[more infos...](#)

Technical data

Article type	Siphon	Connection for dishwasher/washing machine	2
Material	plastic	Diameter connection piece inside	Ø 40/50 mm
Properties	can be shortened	Thread	1 ½"
Intended use	For the waste water hose of washing machines or dishwashers		