

## R-RBV flow 125 pipe bend 90°



Product number: 4052014

Configuration: white

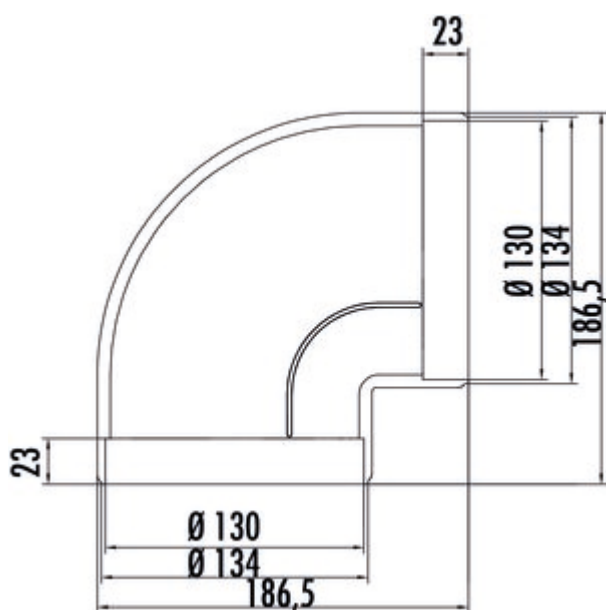
### Configuration options

4052014 | white

- ✓ Connecting element
- ✓ Plug-in system for subsequent gluing

Low-loss deflection via integrated guide vanes. With sleeves integrated on both sides.

- Ø 130 mm
- also suitable for direct connection
- Up to 70 % less pressure loss through guide vane technology. This results in considerably increased performance at reduced noise generation.
- Can be laid close to corners due to its very small inner radius.
- Optimal transition to all wall conducts with round connector.



[more infos...](#)

### Technical data

Article type	Connecting element	Shape	round
Height	186 mm	Outer diameter	130 mm
Width	186 mm	Connection diameter	125 mm
Material	Polystyrene	System dimension	125
Mounting/Fixing	Plug-in system for subsequent gluing	Output drive	round
Note	also suitable for direct connection	Ventilation system	COMPAIR flow 125

