

PRIME flow P-STS 150 support

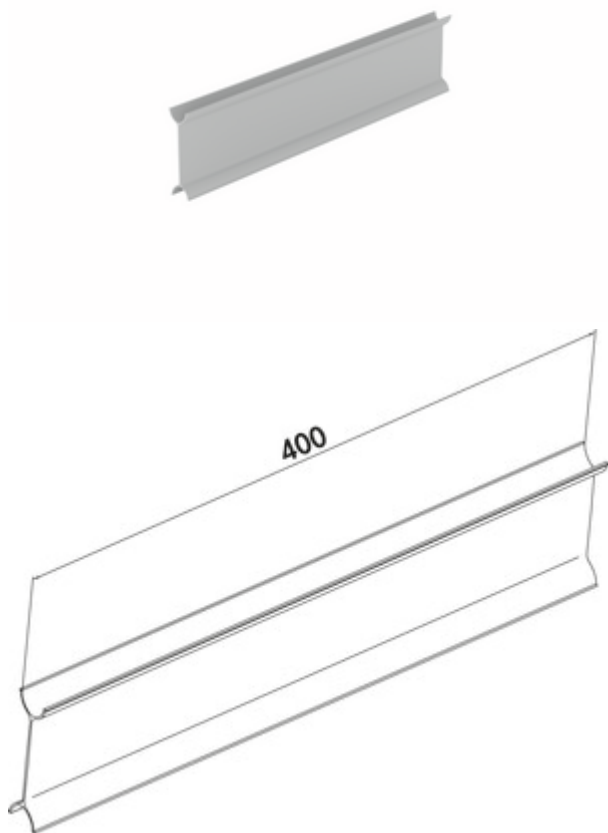
Product number: 4051003

Configuration: light grey

Configuration options

4051003 | light grey

- ✓ Connecting element
- insertion into P-VRO 150 flat duct pipe
- for installation in the floor structure
- two supports per metre
- tread load 100 kg
- with integrated cable guide
- length 400 mm



[more infos...](#)

Technical data

Article type	Connecting element	Suitable for	insertion into P-VRO 150 flat duct pipe for installation in the floor structure
Brand	PRIME flow	Footfall	100 kg
Height	85,4 mm	System dimension	150
Width	400 mm	Output drive	angular
Material	PVC	Ventilation system	COMPAIR PRIME flow [®]
Note	two supports per metre	Cable routing	with integrated cable guide

Dimensional sketch (PDF)

