

## PRIME flow P-STS 150 support

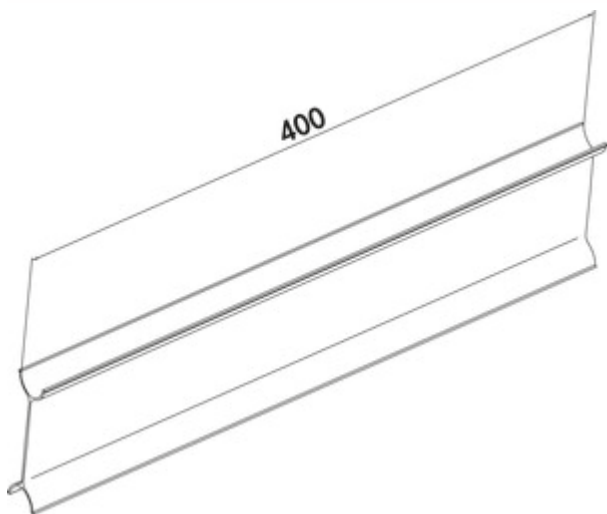


Product number: 4051003  
 Configuration: light grey

### Configuration options

4051003 | light grey

- ✓ Connecting element
- insertion into P-VRO 150 flat duct pipe
- for installation in the floor structure
- two supports per metre
- tread load 100 kg
- with integrated cable guide
- length 400 mm



[more infos...](#)

### Technical data

Article type	Connecting element	Footfall	100 kg
Brand	PRIME flow	System dimension	150
Width	400 mm	Output drive	angular
Material	PVC	Ventilation system	COMPAIR PRIME flow®
Note	two supports per metre	Cable routing	with integrated cable guide
Suitable for	insertion into P-VRO 150 flat duct pipe for installation in the floor structure		

Dimensional sketch (PDF)

