

## Kickspace KS 500



Product number: 6011001  
Configuration: W 322 mm

**Configuration options**  
6011001 | W 322 mm

✓ Base heating system

The compact base-installed heating system for rooms up to about 12 m<sup>2</sup> can be connected to the central heating system with little effort.

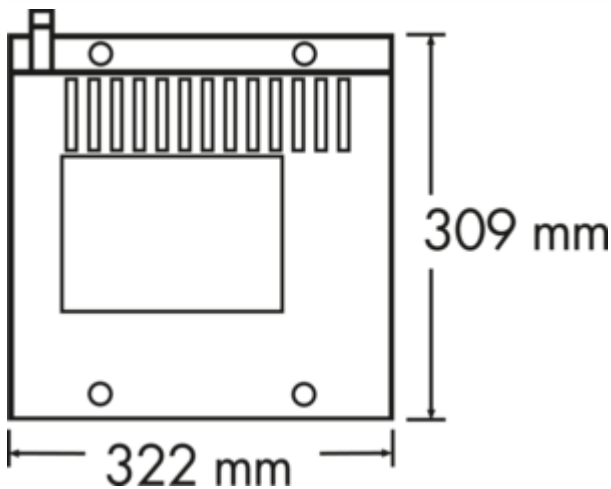
- connected load 230 V/50 Hz
- heating system exclusively for 2-pipe system
- minimum base height 125 mm

**Please note! Ventilation grids and connection hoses are not included in the scope of delivery. Please order additionally.**

PLEASE OBSERVE:

For proper operation, the average feed temperature should not fall below 60 °C.

The heat output of the device depends on the feed temperature and the flow rate of the heating system.



[more infos...](#)

Technical data

Article type	Base heating system	Heating medium	water
Height	93 mm	For room size	12 m <sup>2</sup>
Width	322 mm	Minimum plinth height	125 mm
Standards	the noise levels were tested according to EN 23741.	Heating capacity	740 - 976 W
Mains voltage	230 V	Suitable pipe system	2-pipe
Plug type	Angle plug	Engine power	25 W
Note	Cover plates need to be ordered separately. For proper operation, the average feed temperature should not fall below 60 °C. The heat output of the device depends on the feed temperature and the flow rate of the heating system.	Mains frequency	50 Hz
Switch	Yes	Connection to central heating system	Yes