



## LineUP 2E

Product number: 1091044

Configuration: lava

### Configuration options

- 1091041 | white glossy
- 1091042 | slate
- 1091043 | nero
- 1091044 | lava
- 1091045 | white matt

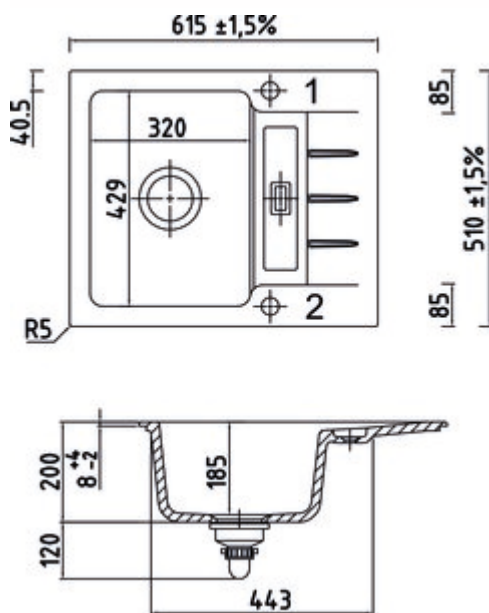
- ✓ Built-in sink
- ✓ ceramic
- ✓ Eccentric set, chrome-plated

Built-in sink. Ceramic, single bowl with small draining surface, reversible, 3½" basket strainer valve flush with premium rotational excenter fitting, chromed, drill hole 1 + 2 drilled through.

— suitable for worktop thicknesses from 30 mm

— cut-out approx. 585 x 480 mm, R 5 mm

Design by Hans Winkler Design, Grafenau.



[more infos...](#)

### Technical data

Article type	Sink	Depth main sink	429 mm
Width	615 mm	Flushing radius (R)	5
Material	ceramic	Material thickness worktop minimum	30 mm
Designer	Design by Hans Winkler Design, Grafenau.	Number of tap holes	1
Cabinet width	500 mm	Armature bench	Yes
Cut-out dimension	approx. 585 x 480 mm, R 5 mm	Number of holes	2
Excenter fitting	Eccentric set, chrome-plated	Arrangement sinks	Reversible
Valve type	3½" basket strainer valve flush	Number of sinks	1 main sink
Overflow	Overflow in the drainer	Number of overflow points	1
Installation variant	Built-in sink	Draining board	With ribbed draining surface
Main sink width	320 mm	Garnish actuation	Chrome-plated rotary eccentric
Height main sink	185 mm		

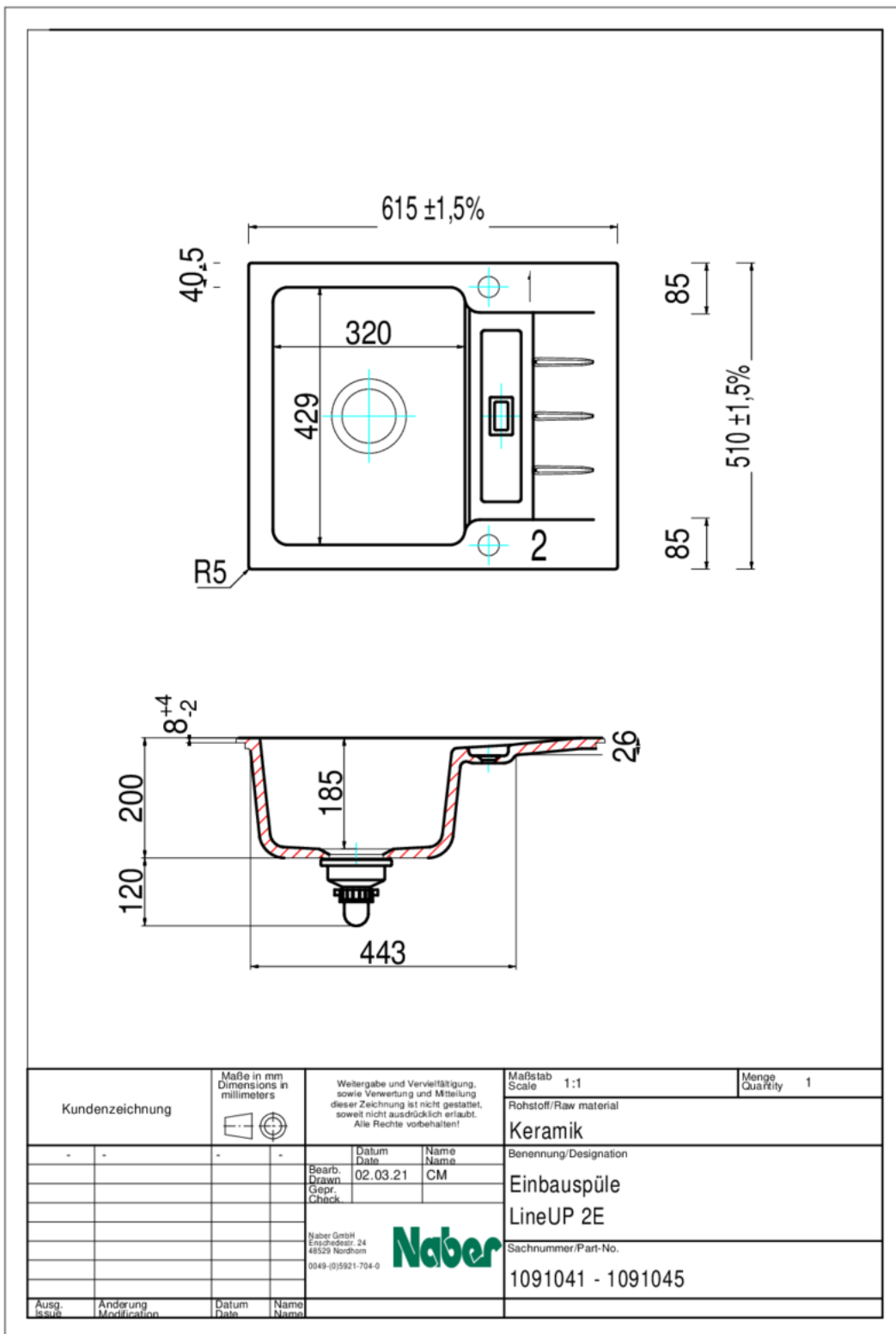
### Accessories

1091038	Bowl insert, Accessory, stainless steel
---------	---

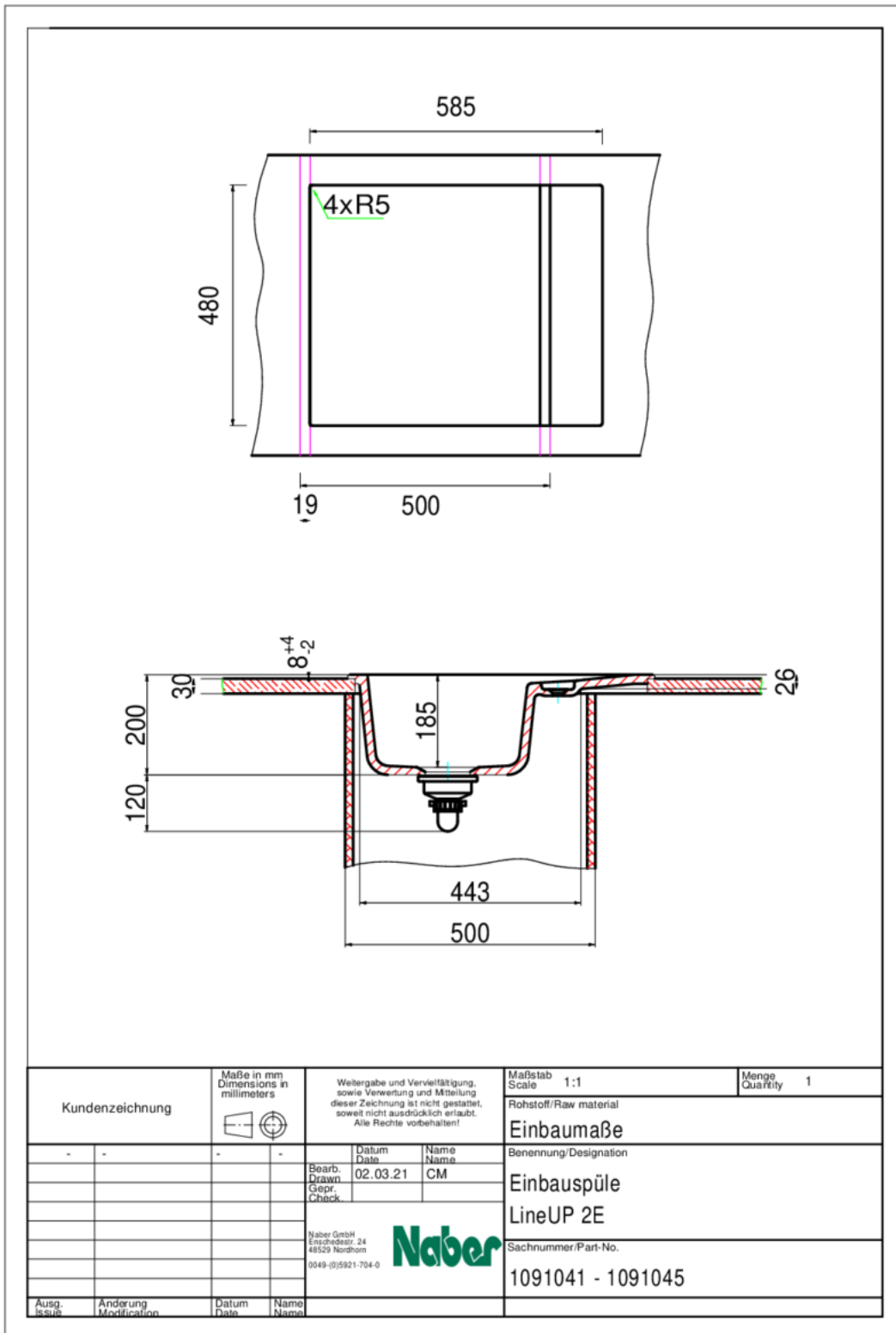
### Recommendations

5011252	Arco 2, Sink faucet, chrome, high pressure
5011320	Fuoco 1, Sink faucet, chrome, high pressure

Dimensional sketch (PDF)



Installation dimensions (PDF)



Kundenzeichnung		Maße in mm Dimensions in millimeters	Weitergabe und Vervielfältigung, sowie Vorentwurf und Mitteilung dieser Zeichnung ist nicht gestattet, soweit nicht ausdrücklich erlaubt. Alle Rechte vorbehalten!		Maßstab Scale 1:1	Menge Quantity 1
-	-	-	-	Datum Date 02.03.21	Rohstoff/Raw material Einbaumaße	
				Name Name CM	Benennung/Designation Einbauspüle LineUP 2E	
				Sachnummer/Part-No. 1091041 - 1091045		
Ausg. Issus	Anderung Modification	Datum Date	Name Name			