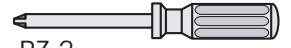
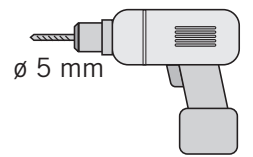
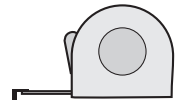
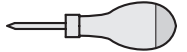


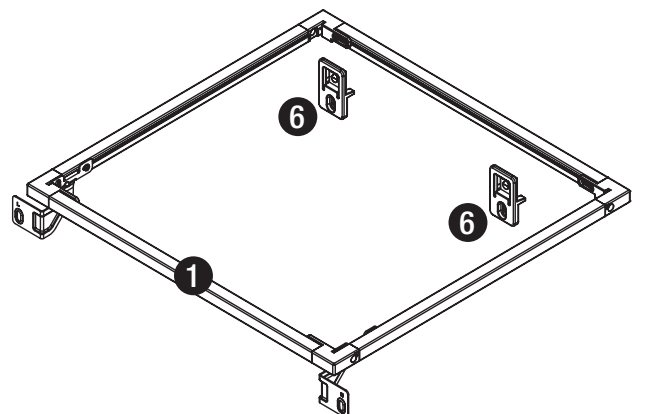
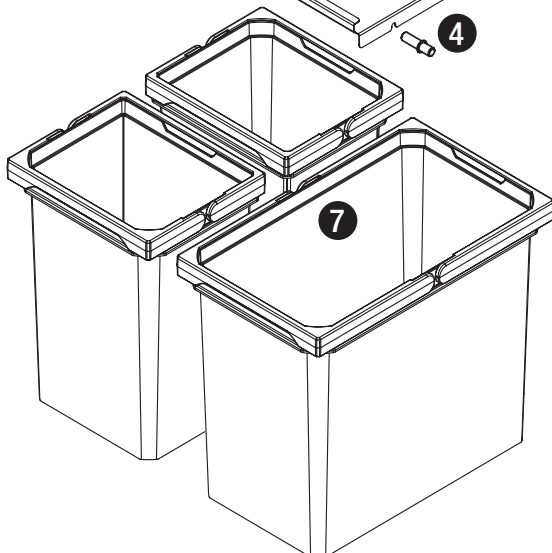
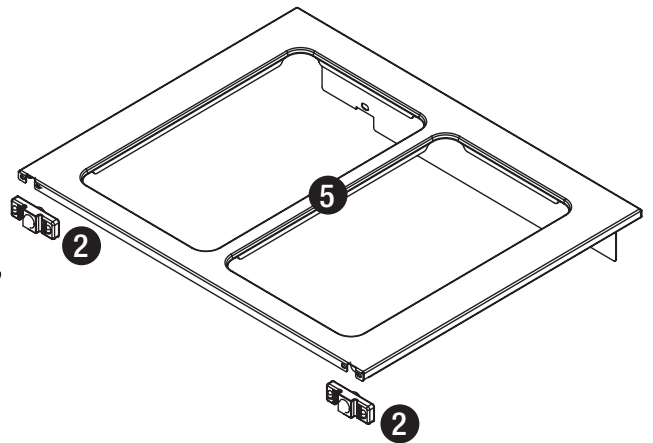
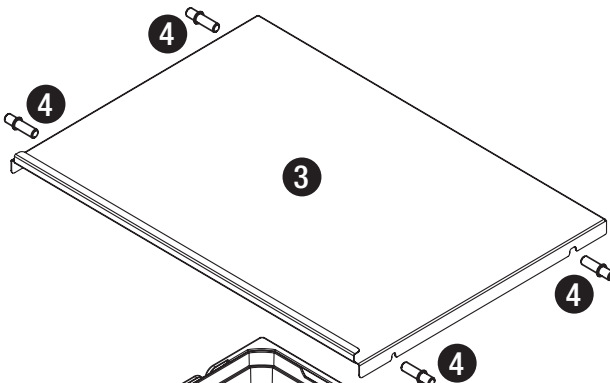
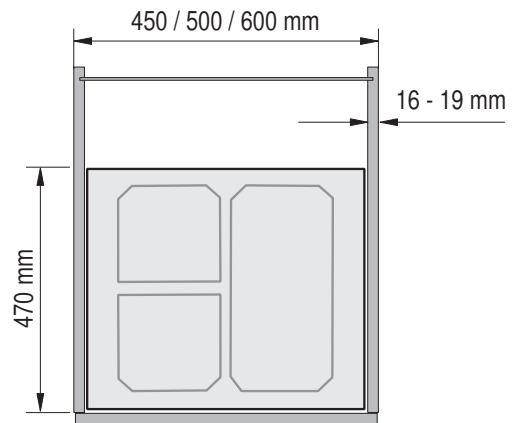
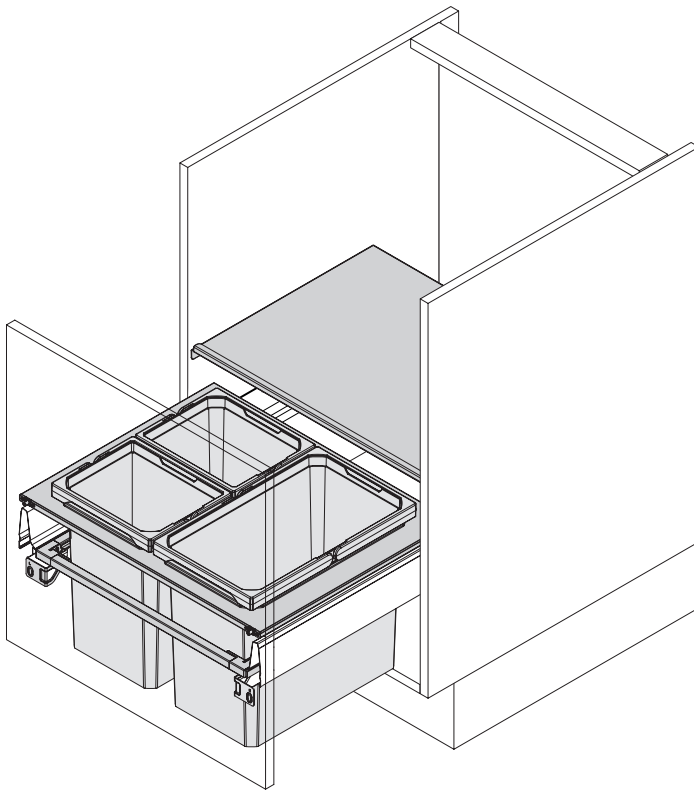
## Cox Cast



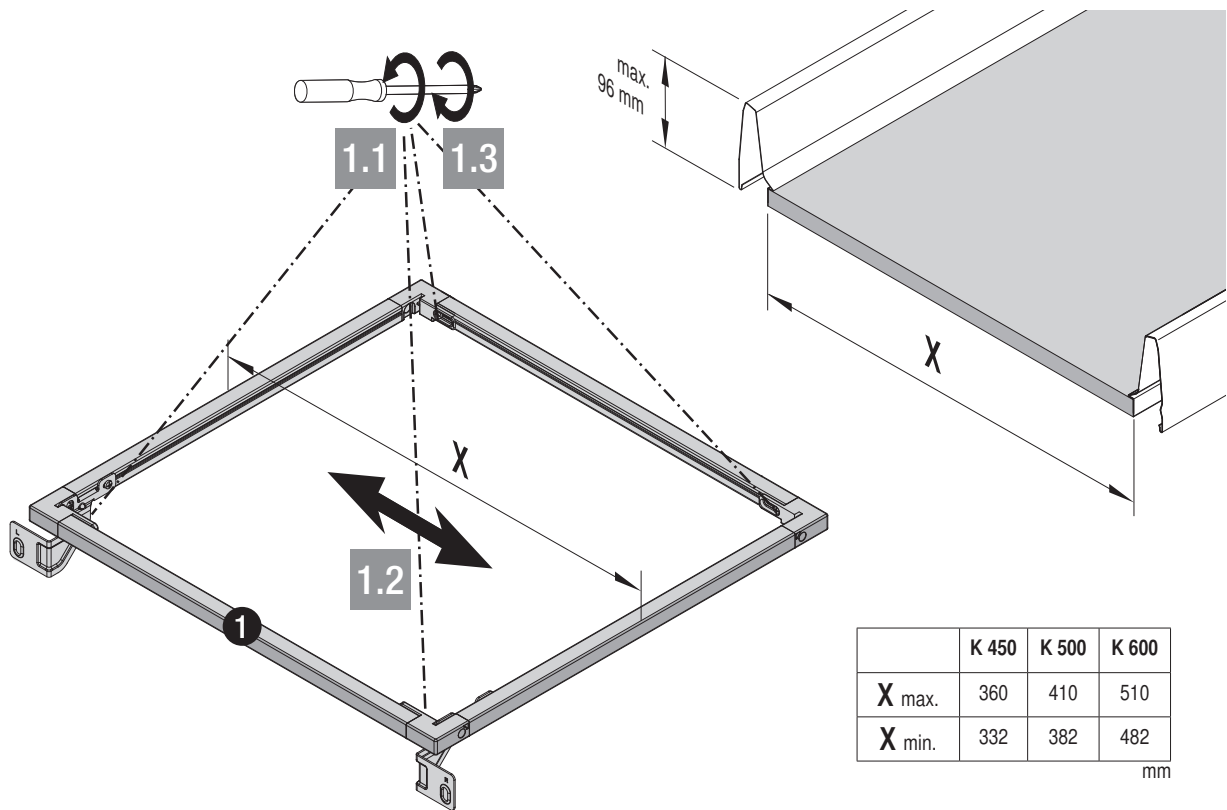
PZ 2



ø 5 mm



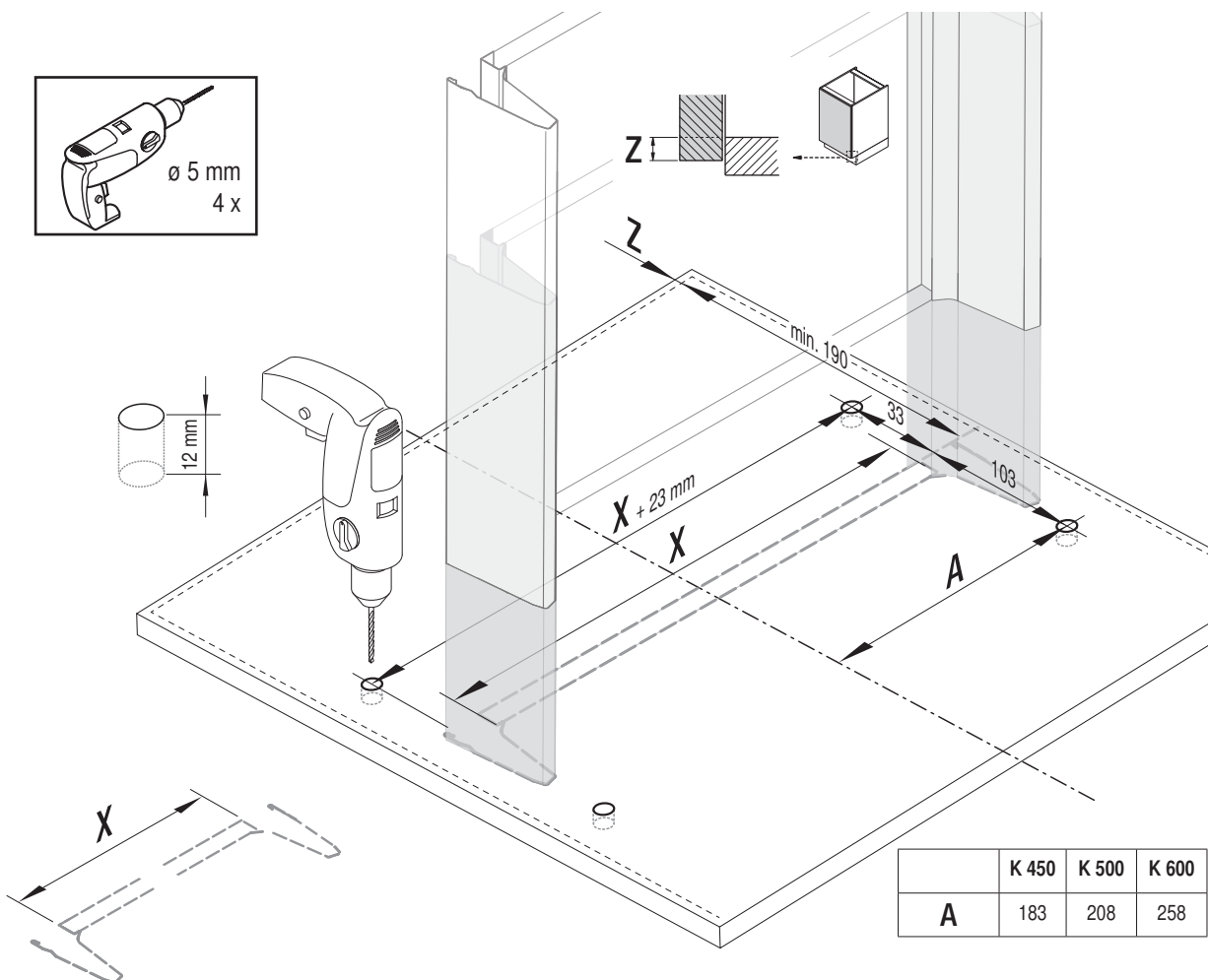
1



	K 450	K 500	K 600
<b>X</b> max.	360	410	510
<b>X</b> min.	332	382	482

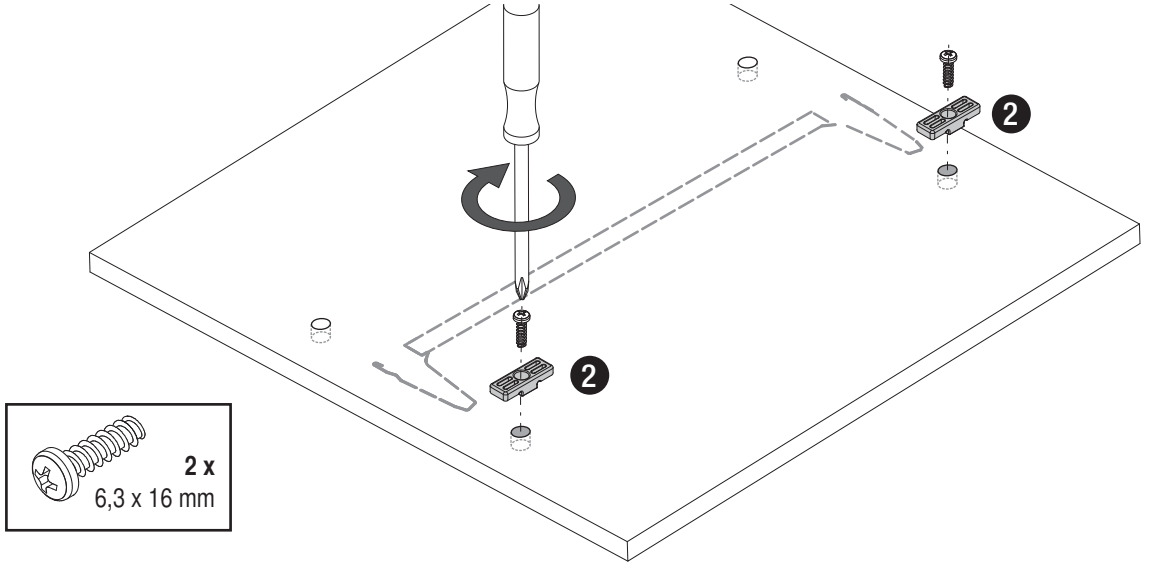
mm

2

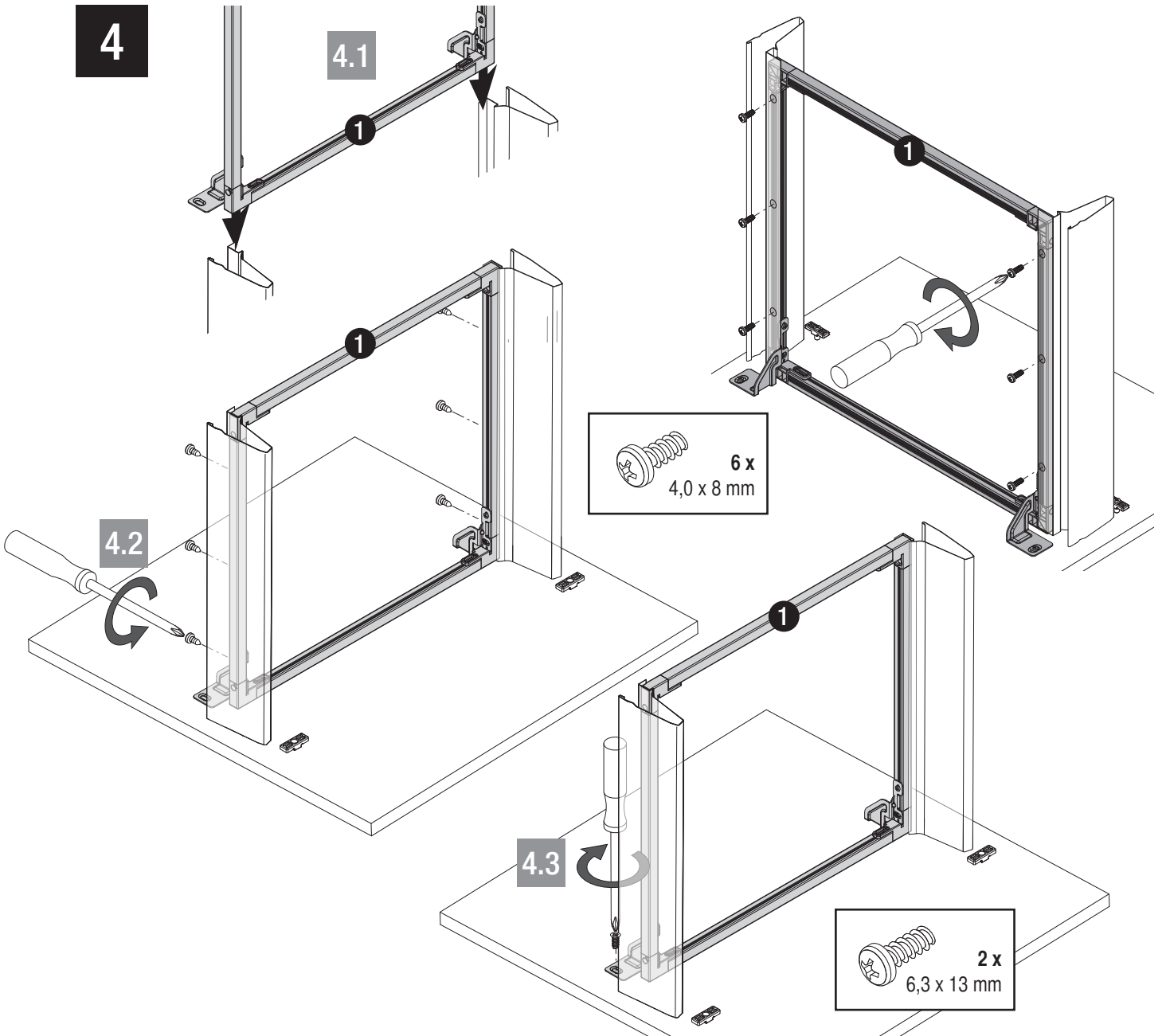


	K 450	K 500	K 600
<b>A</b>	183	208	258

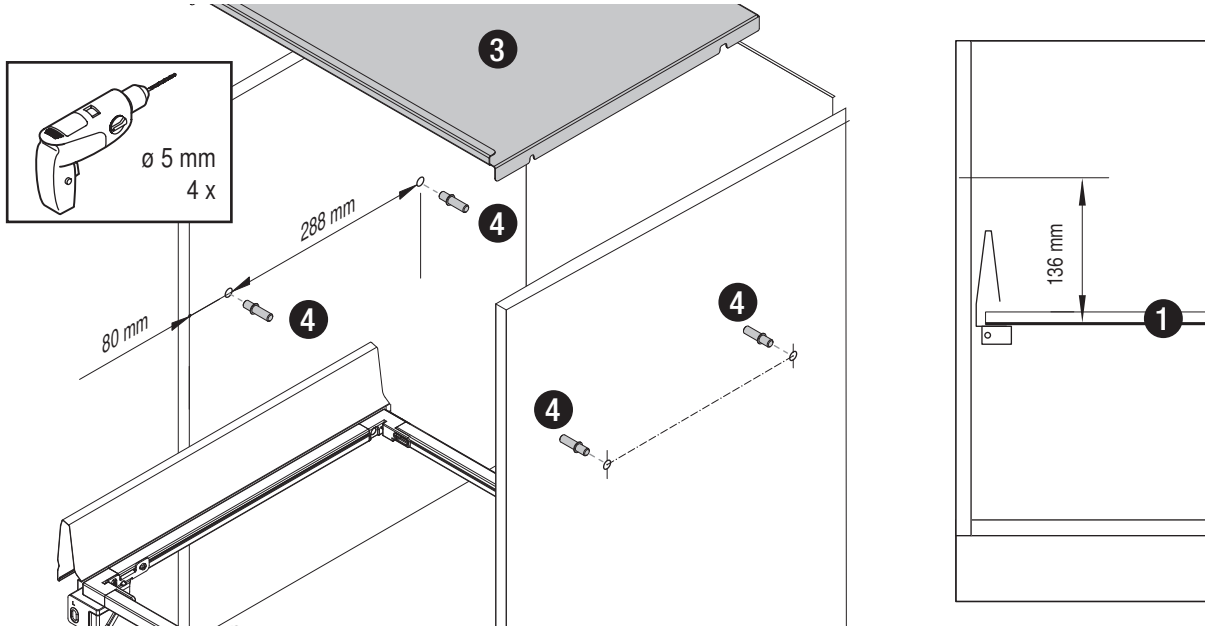
3



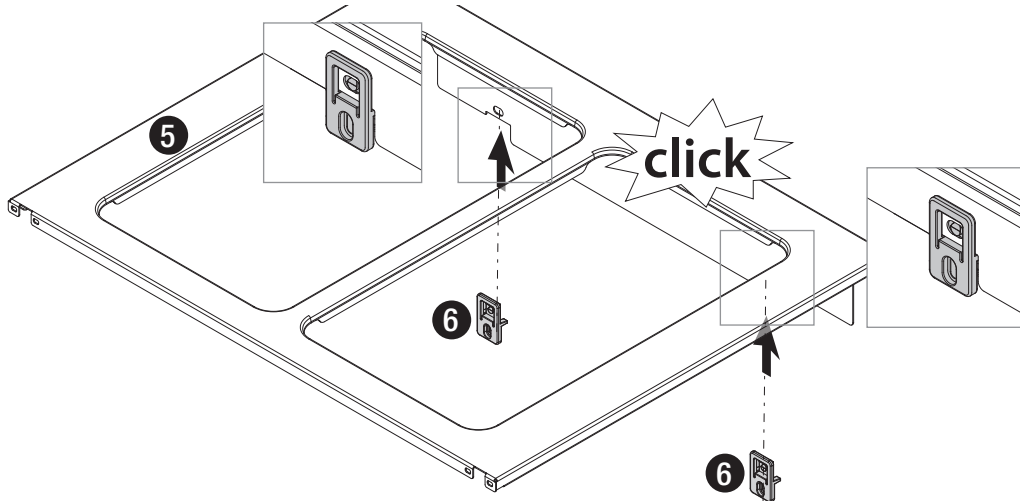
4



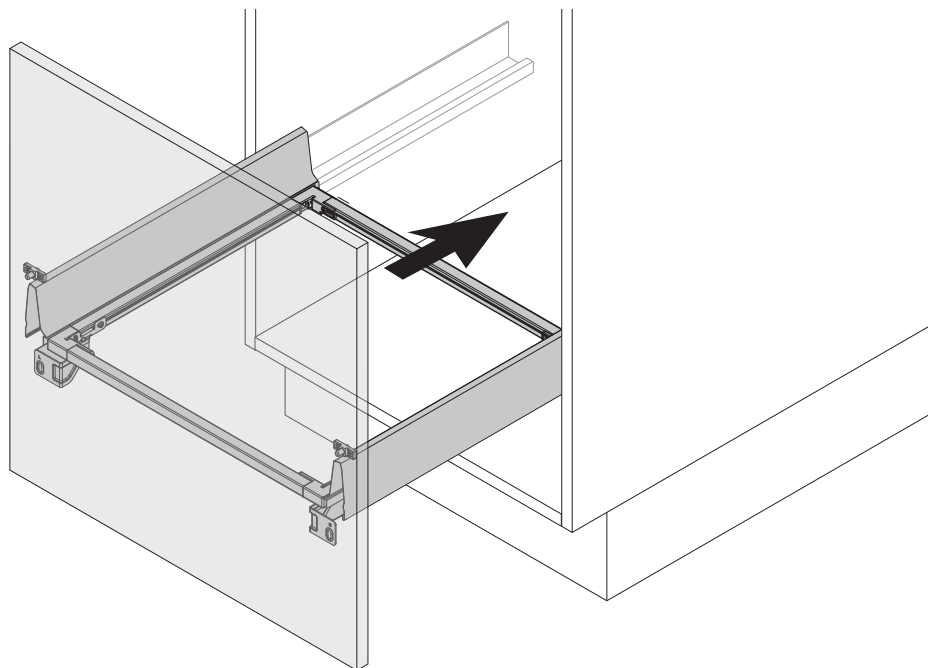
5



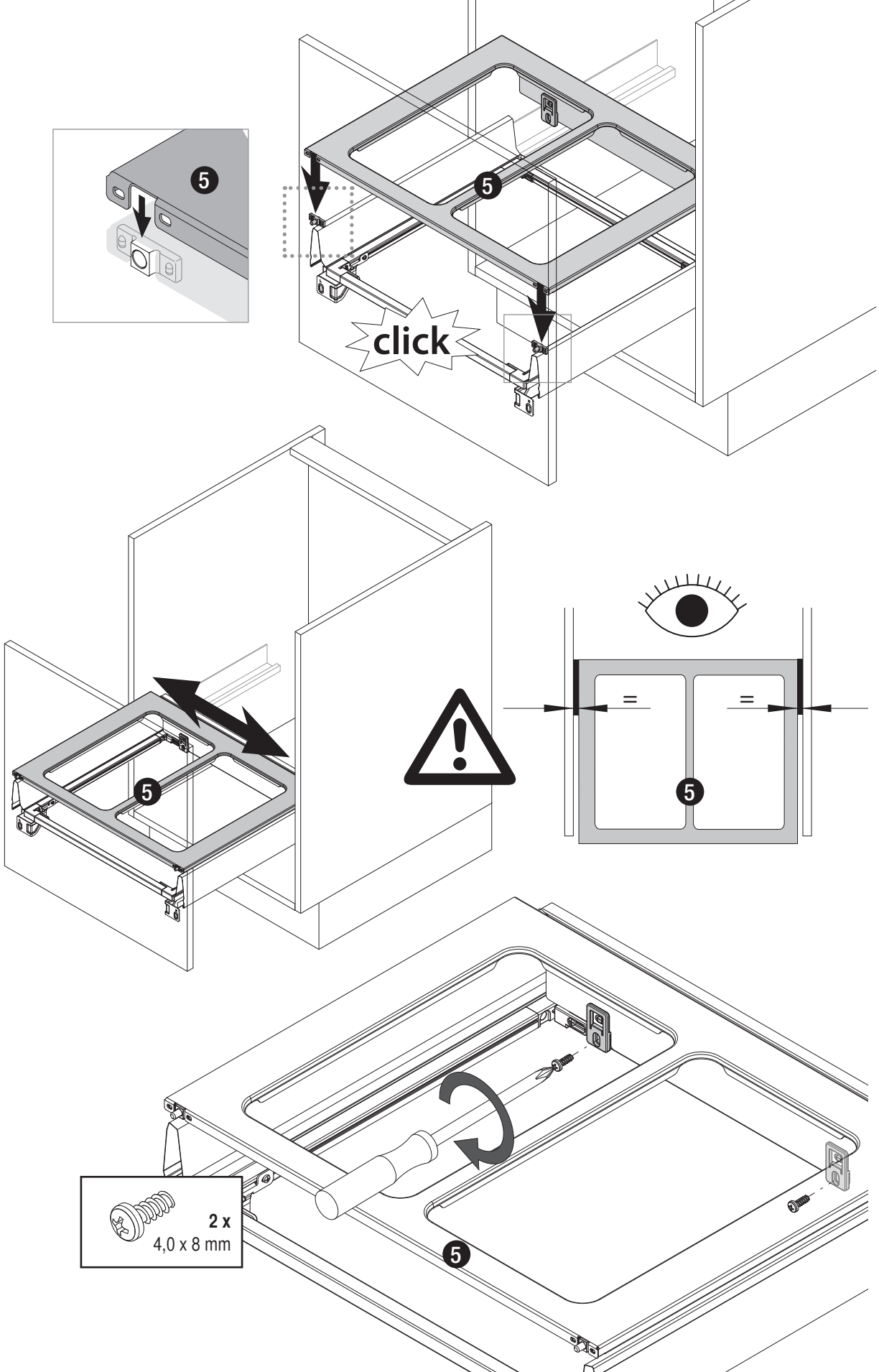
6



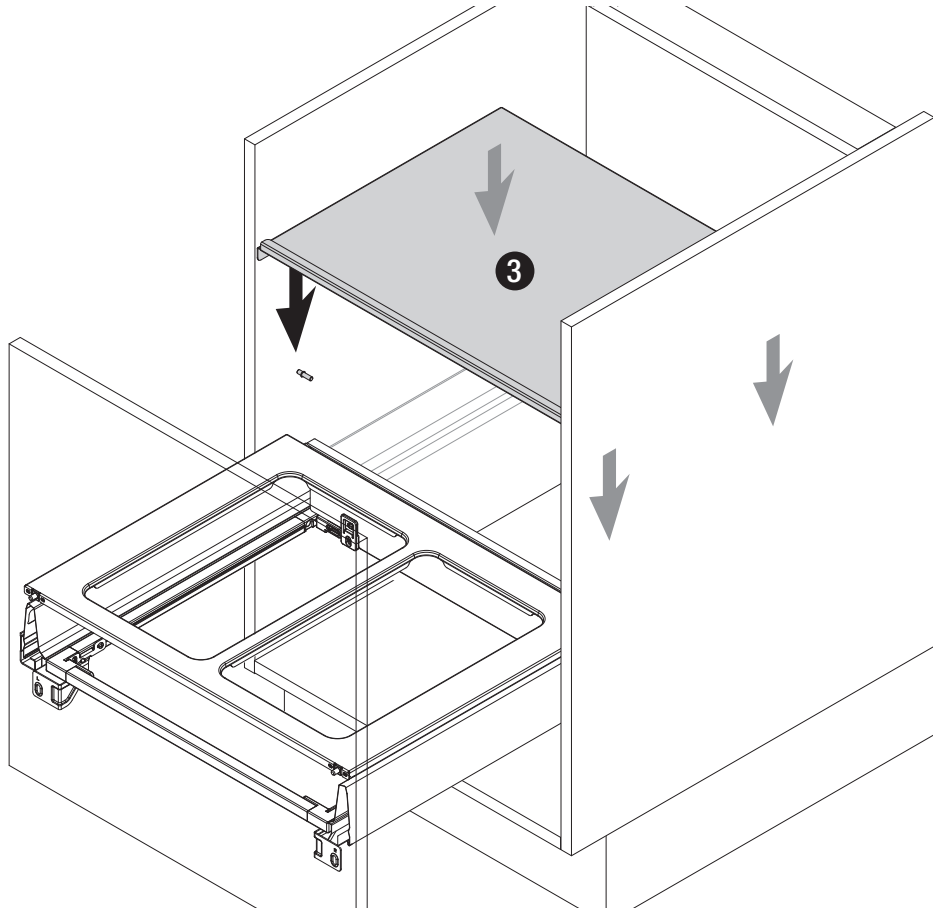
7



8



9



10

