

STEEL flow SF-VRO 150 support

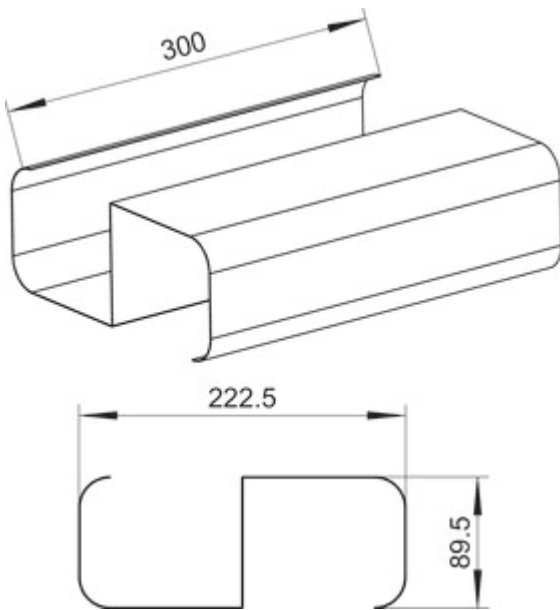
Product number: 4061029

Configuration: L 300 mm, galvanized steel

Configuration options

4061029 | L 300 mm, galvanized steel

- ✓ Exhaust air accessorie
- ✓ plug-in system
- insertion into flat duct SF-VRO 500/1000, for laying in the floor construction
- 1 support for SF-VRO 500 required
- 2 supports for SF-VRO 1000 required
- standing load 100 kg



[more infos...](#)

Technical data

Article type	Exhaust air accessorie	Suitable for	for installation in the floor structure
Brand	STEEL flow	Shape	angular
Warranty	5-year Naber warranty (except for wear parts); the general warranty conditions of Naber GmbH apply.	Outer diameter	150 mm
Width	300 mm	Footfall	100 kg
Material	galvanized steel	Output drive	angular
Mounting/Fixing	plug-in system	Ventilation system	COMPAIR STEEL flow [®] 150
Note	1 support for SF-VRO 500 required 2 supports for SF-VRO 1000 required		

