

T-RBV 1 system 125 wide duct bend



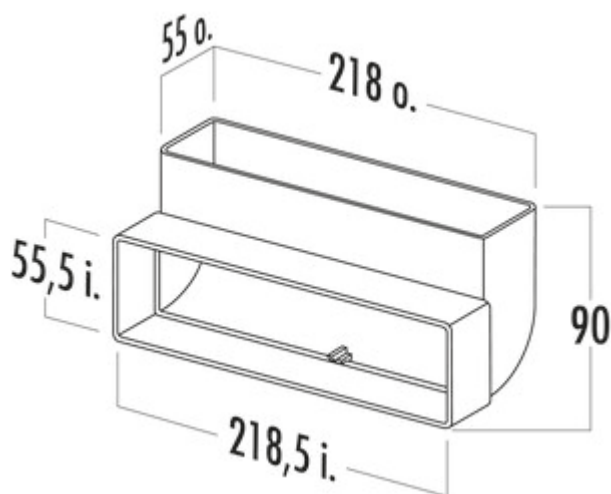
Product number: 4021044

Configuration: white

Configuration options

4021044 | white

- ✓ Connecting element
 - ✓ Plug-in system for subsequent gluing
- Bend vertical 90°. With sleeve integrated on one side.



[more infos...](#)

Technical data

Article type	Connecting element	Connection diameter	125 mm
Width	218,5 mm	System dimension	125
Mounting/Fixing	Plug-in system for subsequent gluing	Output drive	angular
Shape	angular	Ventilation system	COMPAIR top