

## SERVIZIO Namor® 3

Product number: 5025044

Configuration: gunmetal, with laminar aerator, high pressure

### Configuration options

- 5025005 | stainless steel, with laminar aerator, high pressure
- 5025006 | black matt, with laminar aerator, high pressure
- 5025015 | stainless steel, without laminar aerator, low pressure
- 5025016 | black matt, without laminar aerator, low pressure
- 5025044 | gunmetal, with laminar aerator, high pressure

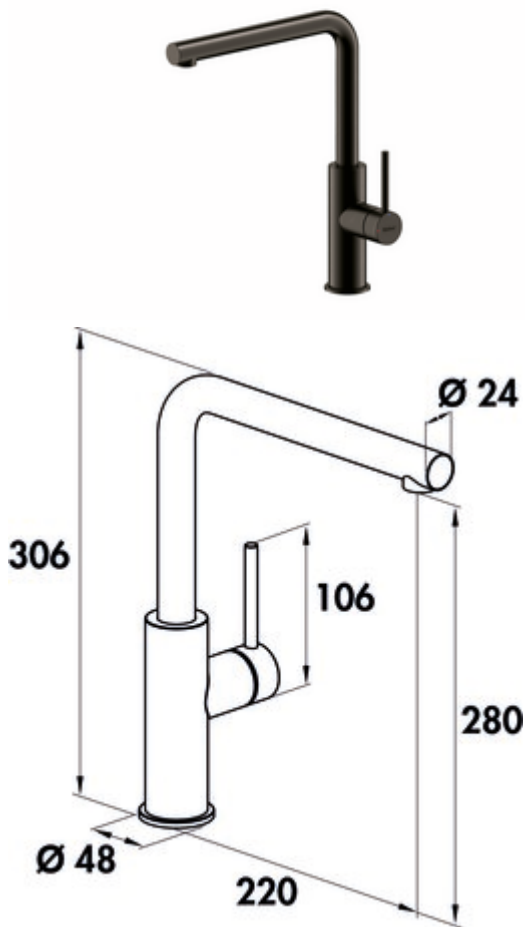
- ✓ Sink faucet
- ✓ high pressure
- ✓ with swivelling outlet

Single lever faucet. With swivelling outlet, side lever and ceramic cartridge.

— swivel range 120°

— drill Ø 35 mm

— corresponds to the German and European drinking water regulation/directive



[more infos...](#)

### Technical data

Article type	Sink faucet	Type of fitting	Single lever faucet
Brand	SERVIZIO	Operating pressure	high pressure
Number of handles	1	Width	48 mm
Total installation height	306 mm	Material	stainless steel
Outreach	220 mm	Surface/coating	powder coated
Outlet	with swivelling outlet	Swivel range handle	0 °
Discharge height	280 mm	ECO function	energy-saving cold start function
Operating mode	Lever	Max. Flow rate at 3 bar	12,5 l/min
Drilling diameter	35 mm	Flow rate at 3 bar (cold)	9,5 l/min
Handle position	side lever	Flow rate at 3 bar (hot)	9,5 l/min
Lever length	106 mm	Flow rate at 3 bar (mix)	12,5 l/min
Cartridge with ceramic sealing discs	Yes	Size laminar flow regulator	M18,5x1
Swivel range outlet	120°	Connection hoses	700 mm
Beam type	Laminar beam		

