



F-RBH 150 pipe bend horizontal 90°

Product number: 4043003

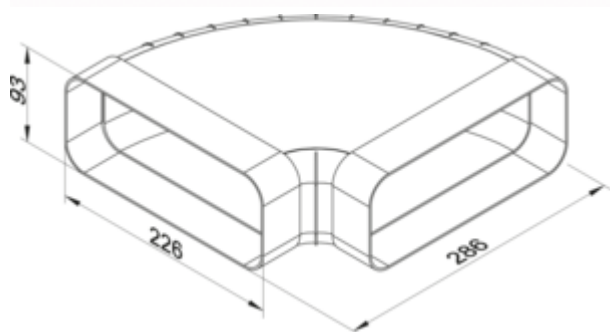
Configuration: white

Configuration options

4043003 | white

- ✓ Connecting element
- ✓ Plug-in system for subsequent gluing

With guide vanes and sleeves integrated on both sides.



[more infos...](#)

Technical data

Article type	Connecting element	Shape	angular
Height	93 mm	Outer diameter	150 mm
Width	286 mm	System dimension	150
Material	polypropylene	Output drive	angular
Mounting/Fixing	Plug-in system for subsequent gluing	Ventilation system	COMPAIR flow 150

Dimensional sketch (PDF)

