

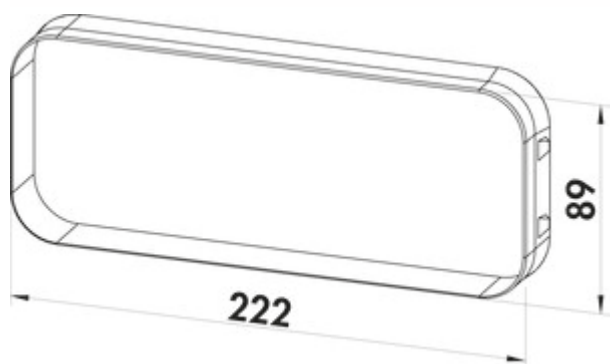
PRIME flow P-E-Jal Col flow 150 wall conduct incl. THERMOBOX



Product number: 4051067
Configuration: white, stainless steel

Configuration options

4051067 | white, stainless steel



- ✓ Wall sleeve
- ✓ installation in the wall
- ✓ N-click system with integrated latching elements

Wall conduct, incl. THERMOBOX heat retention system and P-E-Jal Col stainless steel external blind for installation close to the ground and for conventional installation at ceiling height.

Two-stage installation:

1. Assembly of the separately packaged construction kit
2. Toolless insertion of the heat retention system and the blind

- N-Klick system for secure connection with the universal connector
- direct connection of the flat adapter, round pipe or round pipe bends
- Blower-Door certified (necessary opening pressure >65 Pa)

Raw construction set:

- raw construction set for installation in the wall at any time
- max. wall thickness 550 mm, can be shortened to 220 mm
- core hole drilling in nominal \varnothing 162 mm
- polystyrene plugs to protect against dirt during the construction phase
- wall sleeve for tool-free installation and sealing against leakage



[more infos...](#)

Technical data

Article type	Wall sleeve	Outer diameter	150 mm
Brand	PRIME flow	Suitable wall thickness	max. wall thickness 550 mm
Material	stainless steel/plastic	Wall box version	wall conduct, incl. THERMOBOX heat retention system and P-E-Jal Col stainless steel external blind for installation close to the ground and for conventional installation at ceiling height
Properties	can be shortened	System dimension	150
Mounting/Fixing	installation in the wall N-click system with integrated latching elements	Output drive	angular
Suitable for	direct connection of the flat adapter, round pipe or round pipe bends	Ventilation system	COMPAIR PRIME flow [®]
Shortenability	can be shortened to 220 mm	Opening pressure	> 65 Pa
Consisting of	polystyrene plugs to protect against dirt during the construction phase wall sleeve for tool-free installation and sealing against leakage		

Accessories

4051004 P-UVB 150 universal connector, Connecting element, light grey

