

## Anelli colour change LED 1

Product number: 7061321

Configuration: individual lamp without switch, black matt

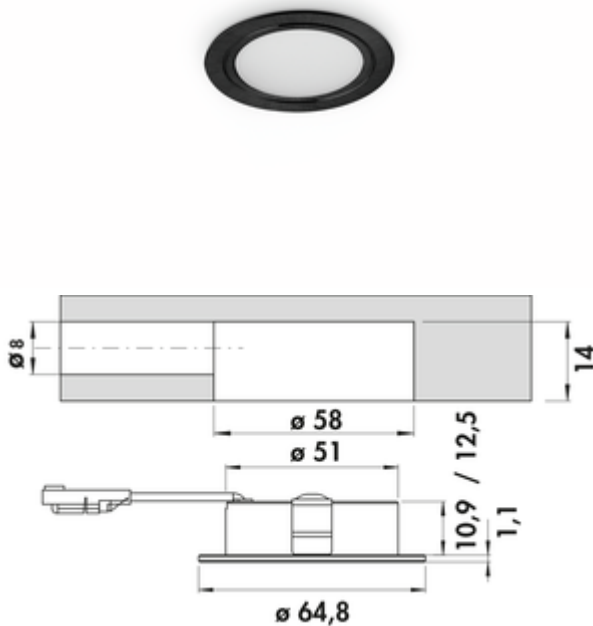
### Configuration options

7061320 | individual lamp without switch, stainless steel coloured

7061321 | individual lamp without switch, black matt

- ✓ Built-in lamp
- ✓ 2700 K warm white to 6500 K cold white
- ✓ 4 watts

Built-in lamp. Aluminium body. Illumination without visible LED points.



### Individual lamp without switch

- 4 watts, 12 V
- continuous control of the light colour from **2700 K** warm white to **6500 K** cold white
- dimmer function: brightness continuously dimmable
- max. 85 lumen/watt at **6500 K** cold white
- 2000 mm supply line with mini-plug-in system
- drill  $\varnothing$  58 mm
- installation depth 14 mm
- LIC LED system compatible

This product contains a light source of energy efficiency class F.

More information about the LIC/MEC LED system



[more infos...](#)

### Technical data

Article type	Luminaire	Dimmer	Yes
Height	1,1 mm	Housing colour	black
Drilling diameter	58 mm	Colour temperature	2700 K warm white to 6500 K cold white
Width	64,8 mm	Colour temperature adjustable	stepless
Energy efficiency class	F	Type of dimming	brightness continuously dimmable
Transformer / converter required	Yes, must be ordered separately	LIC system compatible	Yes
Protection class	III	Plug-in system	with mini plug-in system
Mounting/Fixing	Base unit installation (wall unit/shelf) installation	Illuminant type	LED
Material housing	aluminium	Replaceable illuminant	No
Switch	No	Light yield	max. 85 lumen/watt at 6500 K cold white
Surface/coating	matt	Connection	One-sided
Shape	round	Homogeneous light field without visible LED points	Yes
Length of the supply line (primary)	2.000 mm	Design	Built-in lamp
Outer diameter	64,8 mm	Dimming function (composite)	Yes, brightness continuously dimmable
Illuminant included	Yes	Illuminant power	4 watts