

Anelli colour change LED 1

Product number: 7061321

Configuration: individual lamp without switch, black matt

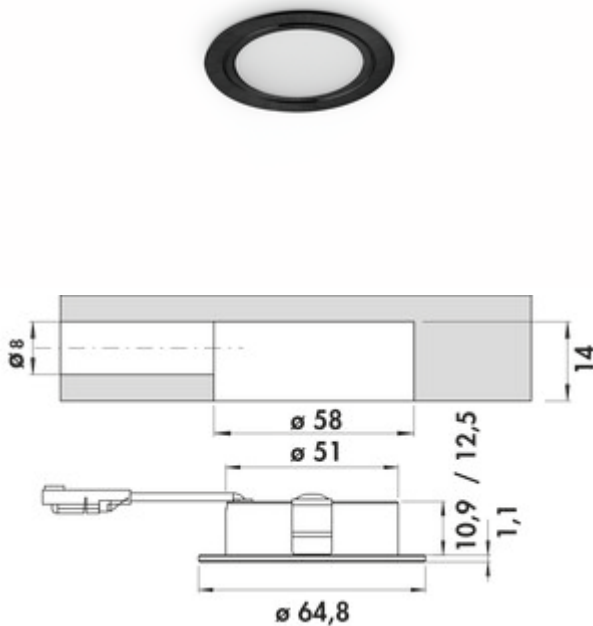
Configuration options

7061320 | individual lamp without switch, stainless steel coloured

7061321 | individual lamp without switch, black matt

- ✓ Built-in lamp
- ✓ 2700 K warm white to 6500 K cold white
- ✓ 4 watts

Built-in lamp. Aluminium body. Illumination without visible LED points.



Individual lamp without switch

- 4 watts, 12 V
- continuous control of the light colour from 2700 K warm white to 6500 K cold white
- dimmer function: brightness continuously dimmable
- max. 85 lumen/watt at 6500 K cold white
- 2000 mm supply line with mini-plug-in system
- drill \varnothing 58 mm
- installation depth 14 mm
- LIC LED system compatible

This product contains a light source of energy efficiency class F.

More information about the LIC/MEC LED system



[more infos...](#)

Technical data

Article type	Luminaire	Housing colour	black
Drilling diameter	58 mm	Colour temperature	2700 K warm white to 6500 K cold white
Width	64,8 mm	Colour temperature adjustable	stepless
Energy efficiency class	F	Type of dimming	brightness continuously dimmable
Transformer / converter required	Yes, must be ordered separately	LIC system compatible	Yes
Protection class	III	Plug-in system	with mini plug-in system
Mounting/Fixing	Base unit installation (wall unit/shelf) installation	Illuminant type	LED
Material housing	aluminium	Replaceable illuminant	No
Switch	No	Light yield	max. 85 lumen/watt at 6500 K cold white
Surface/coating	matt	Connection	One-sided
Shape	round	Homogeneous light field without visible LED points	Yes
Length of the supply line (primary)	2.000 mm	Design	Built-in lamp
Outer diameter	64,8 mm	Dimming function (composite)	Yes, brightness continuously dimmable
Illuminant included	Yes	Illuminant power	4 watts
Dimmer	Yes		

Accessories

7061131	Colour change LED Touch switch and dimmer, Switch, stainless steel coloured
7062309	LED converter 20, grey
7061049	LED connection line, Connecting element, white, L 2000 mm
7061322	Anelli mounting ring, Accessory, stainless steel coloured, 15 mm
7061323	Anelli mounting ring, Accessory, matt black, 15 mm
7061403	MEC Driver LED converter, 60/72 W, 12/24 V
7061426	MEC Driver LED 1-channel module radio/ZigBee, Accessory, 12 V
7061428	MEC Driver LED 4-channel module radio/ZigBee, Accessory, 12 V
7061431	MEC Driver LED remote control 1+4 channel ZigBee, white