

Duo colour change LED

Product number: 7061088

Configuration: single lamp without switch, black matt

Configuration options

7061079 | single lamp without switch, stainless steel coloured

7061088 | single lamp without switch, black matt

✓ lit glass pane

✓ 2700 K warm white to 6500 K cold white

Single lamp, glass shelf lamp. For mounting on glass shelves with metal spring clip, LED light emission 6 LEDs upwards and 6 LEDs downwards.

Single lamp without switch

— 0.8 watt, 12 VDC

— 60 lumen/watt

— stepless control of light colour from 2700 K warm white to 6500 K cold white

— dimming function: brightness continuously dimmable

— 2000 mm supply line with mini-plug-in system

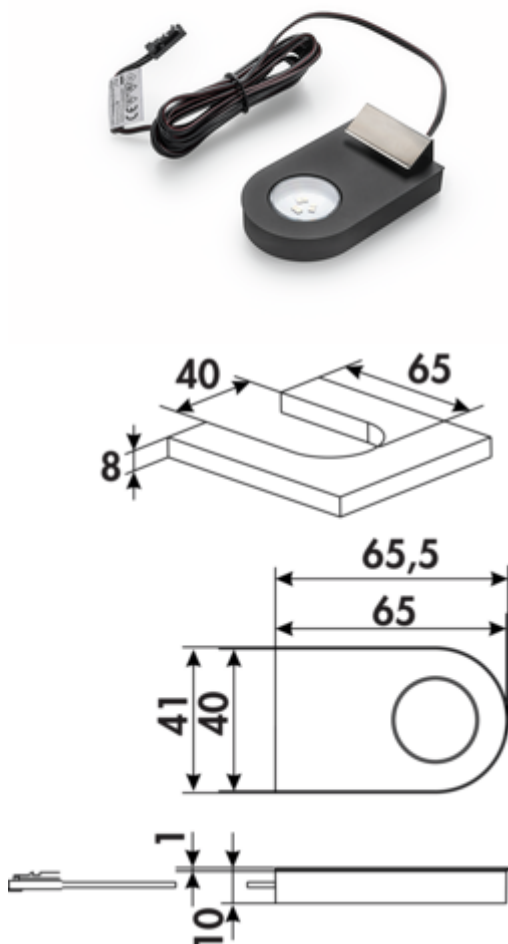
— panel thickness 6–10 mm

— beam angle 60°

— LIC/MEC LED system compatible

This product contains a light source of energy efficiency class E.

More information about the LIC/MEC LED system



[more infos...](#)

Technical data

Article type	lit glass pane	Colour temperature adjustable	stepless
Height	11 mm	Type of dimming	brightness continuously dimmable
Width	65,5 mm	LIC system compatible	Yes
Energy efficiency class	E	Plug-in system	with mini plug-in system
Mains voltage	for 12 VDC	Swivel range	60 °
Transformer / converter required	Yes, must be ordered separately	Illuminant type	LED
Protection class	III	Replaceable illuminant	No
Mounting/Fixing	attachable	Light yield	60 lumen/watt
Certification	CE F-sign	With spring clips for installation in cavity ceilings	Yes
Switch	No	Cover colour	transparent
Surface/coating	matt	Colour cable	black
Length of the supply line (primary)	2.000 mm	Number of light points	12
Illuminant included	Yes	Design	lit glass pane
Dimmer	Yes	Dimming function (composite)	Yes, brightness continuously dimmable
Suitable panel thickness	6–10 mm	With spring clip for attaching to glass shelves	Yes
Housing colour	black matt	Illuminant power	0.8 watts
Colour temperature	2700 K warm white to 6500 K cold white		