



## Mira BS1

Product number: 7053115

Configuration: black matt

### Configuration options

7053044 | stainless steel

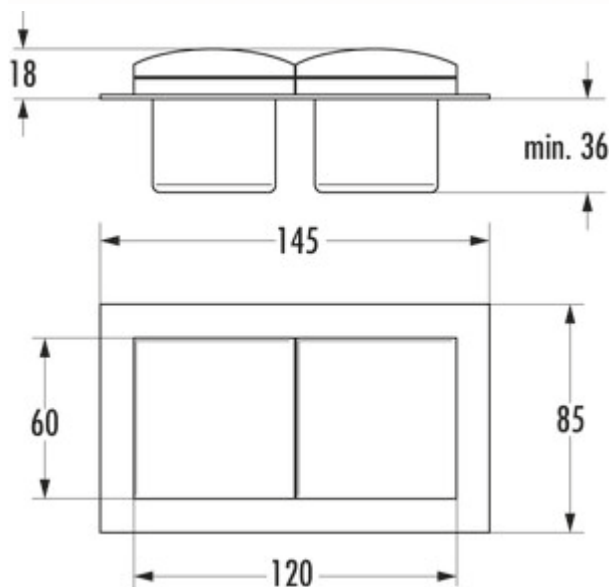
7053115 | black matt

- ✓ Built-in socket element
- ✓ 2 x earthed plug socket
- ✓ angular

Socket element. 2-fold. With hinged lid.

Due to its low installation depth, the Mira BS1 is particularly suitable for integration in cabinet covers.

- 230 V/16 A
- 85 x 145 x at least 36 mm (H x W x D)
- 2000 mm mains connection line, earthing contact plug enclosed loosely



[more infos...](#)

### Technical data

Article type	Socket element	Installation depth	36 mm
Width	145 mm	Version sockets	2 x earthed plug socket
Mains voltage	240 V/16 A	Housing colour	black matt
Cable outlet	cable outlet back	Mains plug loosely enclosed	Yes
Properties	rust-free	Colour socket	black
Mounting/Fixing	Wall mounting front panel	Cover/blind type	flip lid
Certification	CE	Type of socket element	Built-in socket element
Shape	angular	Number of sockets (total)	2
Length of the supply line (primary)	2.000 mm		