

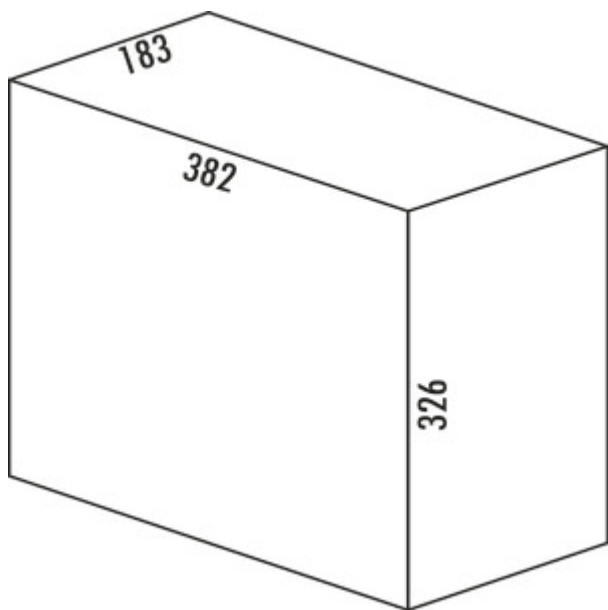
## Cox<sup>®</sup> system container



Product number: 8012321  
 Configuration: light grey, 16 liters

**Configuration options**  
 8012321 | light grey, 16 liters  
 8013321 | anthracite, 16 liters

- ✓ Single bucket
- ✓ angular
- 326 x 183 x 382 mm (H x W x D)
- matching sealing lids optionally available
- with practical and sturdy carrying handle
- for retrofitting a separation system or as part of an organisation system



[more infos...](#)

### Technical data

Article type	Single bucket	Number of containers	1
Width	183 mm	Total volume	16 l
Material	plastic	Volume/content container 1	16 l
Shape	angular	Design	System containers
Cover	No	Volume/Content container	16

### Accessories

8012341	Closing-lid, Accessory, light grey, for 10/ 12/ 16/ 21 liters
---------	---

Installation dimensions (PDF)

