

## SERVIZIO Namor® 4

Product number: 5025045

Configuration: gunmetal, high pressure

### Configuration options

5025007 | stainless steel, high pressure

5025008 | black matt, high pressure

5025045 | gunmetal, high pressure

- ✓ Sink faucet
- ✓ high pressure
- ✓ energy-saving cold start function

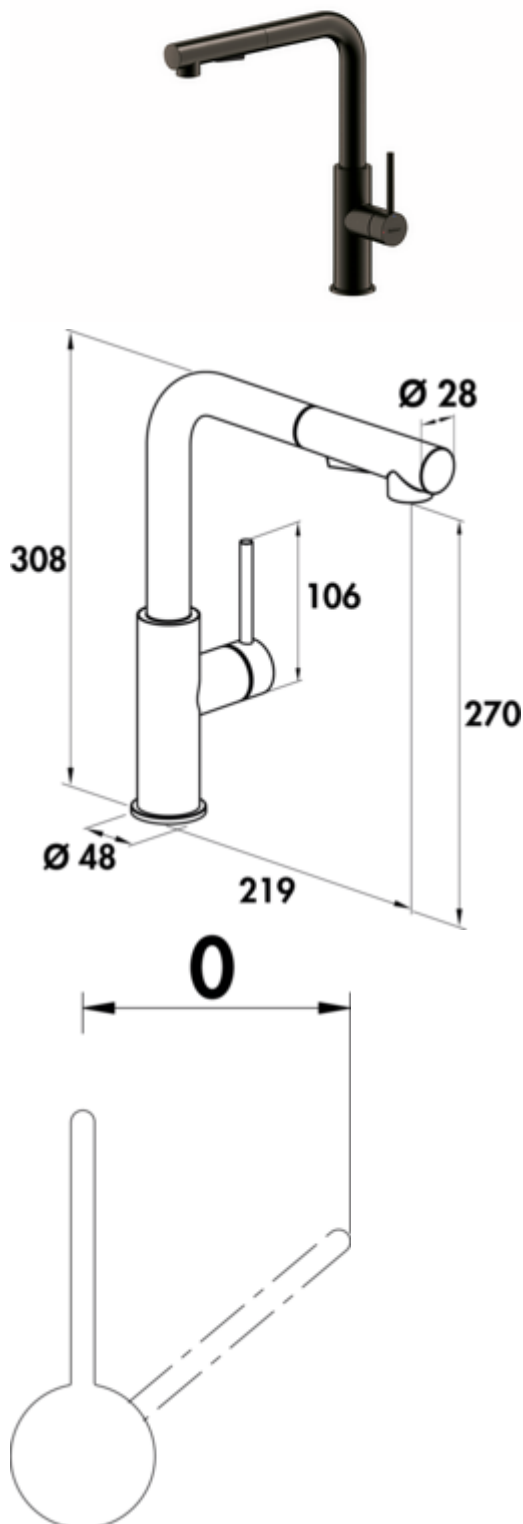
Single lever mixer. With **swivelling/pull-out** hose with shower head (can be switched to stream or shower), side lever, laminar aerator and ceramic cartridge.

— swivel range 120°

— drill Ø 35 mm

— shower hose: simple click fastening

— corresponds to the German and European drinking water regulation/directive



[more infos...](#)

## Technical data

Article type	Sink faucet	Material	stainless steel
Brand	SERVIZIO	Mounting/Fixing	showerhead hose: simple click attachment
Number of handles	1	Surface/coating	PVD coating
Total installation height	308 mm	ECO function	energy-saving cold start function
Height	308 mm	Convertible jet/shower	Yes
Outreach	219 mm	Type of hose shower	with swivelling/pull-out hose with shower head (can be switched to stream or shower)
Discharge height	270 mm	Max. Flow rate at 3 bar	6,88 l/min
Operating mode	Lever	Flow rate at 3 bar (cold)	6,12 l/min
Drilling diameter	35 mm	Flow rate at 3 bar (hot)	6,08 l/min
Handle position	side lever	Flow rate at 3 bar (mix)	6,88 l/min
Lever length	106 mm	Flow rate at 3 bar (spray cold)	5,33 l/min
Cartridge with ceramic sealing discs	Yes	Flow rate at 3 bar (spray hot)	5,4 l/min
Swivel range outlet	120°	Flow rate at 3 bar (spray mix)	5,78 l/min
Beam type	Laminar beam	Size laminar flow regulator	M16,5x1
Type of fitting	Single lever faucet	Connection hoses	700 mm
Operating pressure	high pressure	Shower hose version	simple click fastening
Width	48 mm		

