

STEEL flow SF-RVB 150 pipe connector

Product number: 4061017

Configuration: galvanized steel

Configuration options

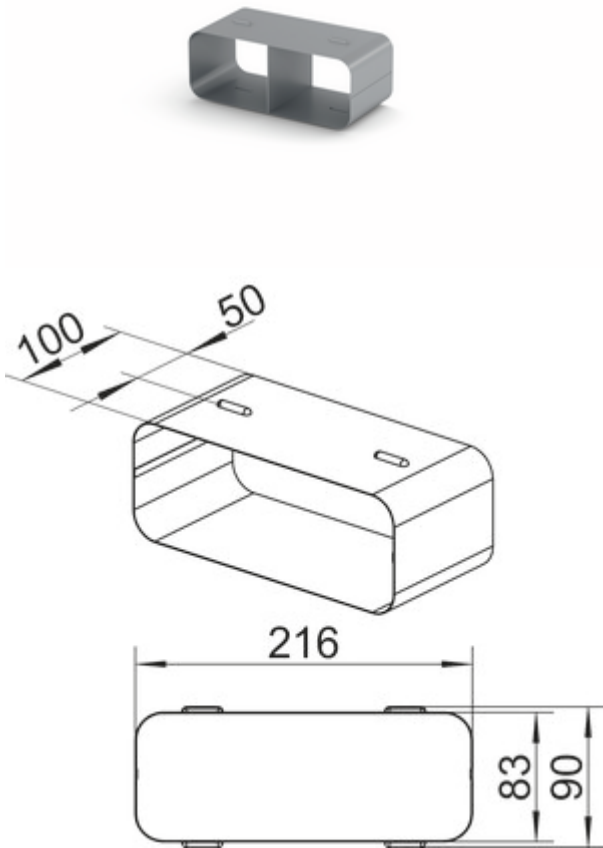
4061017 | galvanized steel

✓ Connecting element

✓ plug-in system

Connector for flat ducts.

— suitable for flat ducts SF-VRO flex and SF-VRO



[more infos...](#)

Technical data

Article type	Connecting element	Suitable for	suitable for flat ducts SF-VRO flex and SF-VRO
Brand	STEEL flow	Surface/coating	galvanised
Warranty	5-year Naber warranty (except for wear parts); the general warranty conditions of Naber GmbH apply.	Shape	angular
Width	216 mm	Outer diameter	150 mm
Material	galvanized steel	Ventilation system	COMPAIR STEEL flow® 150
Mounting/Fixing	plug-in system		

