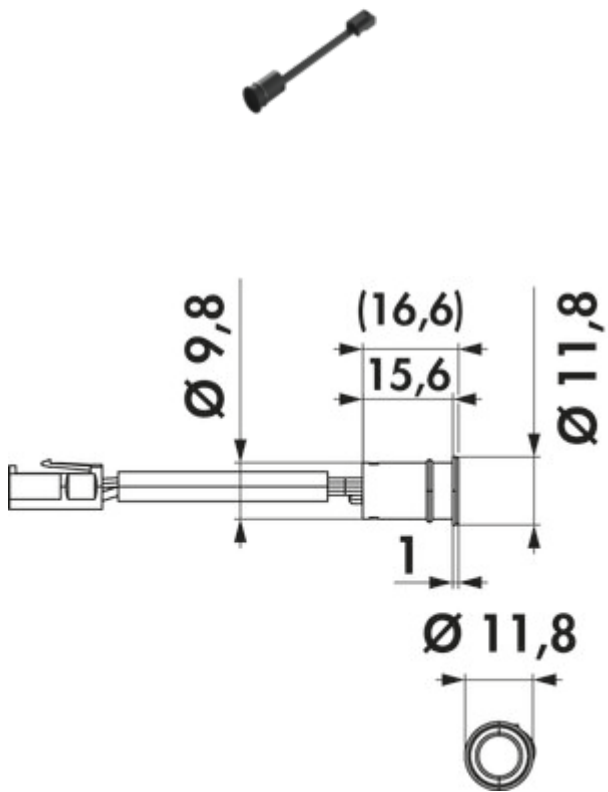


## MEC Driver LED sensor IR/TK

Product number: 7061414  
 Configuration: sensor

**Configuration options**  
 7061414 | sensor  
 7061415 | attachment housing

- ✓ Accessory
- ✓ 2.000 mm
- black
- use with the MEC Driver switching module
- dimming or door contact function, depending on the setting of the function module
- setting the run
- on time via the function module
- range max. 50 mm
- connection cable 2000 mm



[more infos...](#)

### Technical data

Article type	Accessory	Length of the supply line (primary)	2.000 mm
Further	dimmer or door contact function, depending on the function module setting setting of the run-on time via the function module	LIC system compatible	Yes
Suitable for	use with the MEC Driver switching module	Transmitter range	50 m