

STEEL flow SR 150 round duct mount



Product number: 4061023

Configuration: galvanized steel

Configuration options

4061023 | galvanized steel

✓ Exhaust air accessorie

✓ installation in the wall

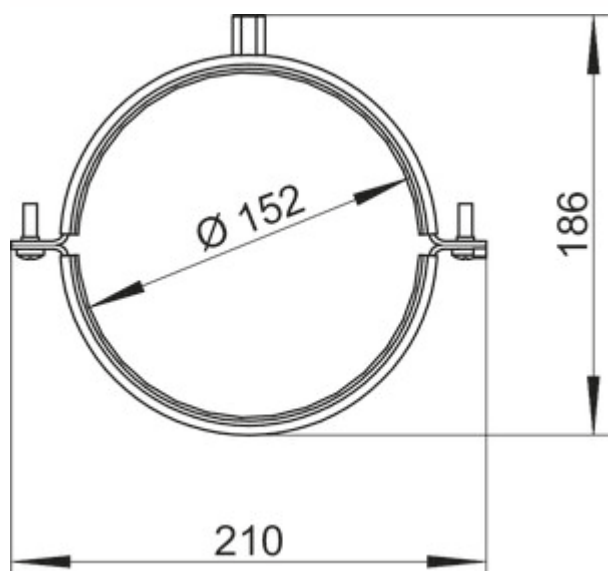
✓ plug-in system

For wall and ceiling mounting.

— with damping

— recommended distance between two mounts 500 mm

— suitable for round pipes SR-R flex and SR-R



[more infos...](#)

Technical data

Article type	Exhaust air accessorie	Suitable for	suitable for round pipes SR-R flex and SR-R
Brand	STEEL flow	Surface/coating	galvanised
Warranty	5-year Naber warranty (except for wear parts); the general warranty conditions of Naber GmbH apply.	Shape	round
Width	210 mm	Inner diameter	152 mm
Material	galvanized steel	System dimension	150
Mounting/Fixing	installation in the wall plug-in system	Output drive	round
Note	recommended distance between two mounts 500 mm	Ventilation system	COMPAIR STEEL flow® 150

