

## T-UR 125 deflector 90° with round pipe

Product number: 4021019

Configuration: L 500 mm, white

### Configuration options

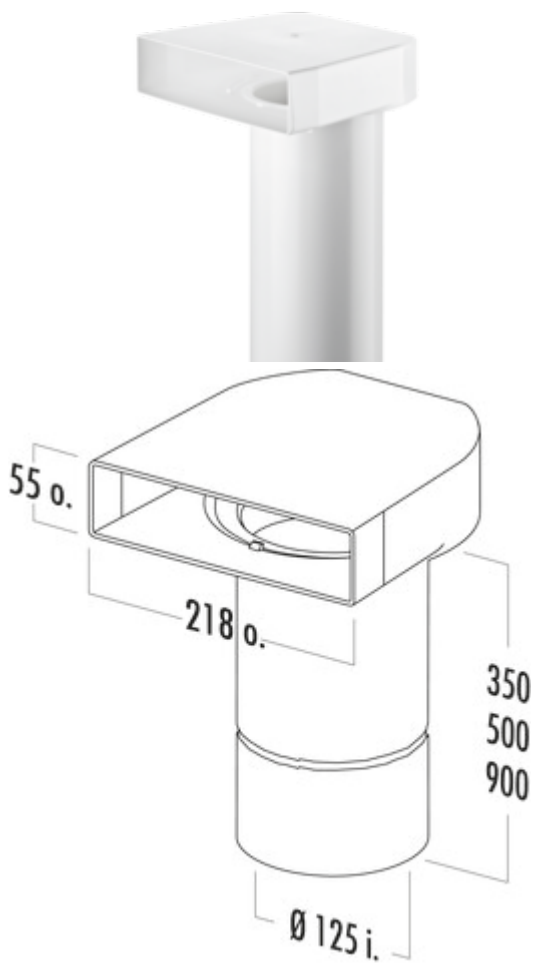
4021019 | L 500 mm, white

4021020 | L 1000 mm, white

- ✓ Connecting element
- ✓ Plug-in system for subsequent gluing

Deflector 90° with round pipe.

To achieve optimum flow performance, always use the deflectors with round pipe. Only use the deflectors with hose (T-URX) in exceptional cases, if no other engineering option exists.



[more infos...](#)

### Technical data

Article type	Connecting element	Connection diameter	125 mm
Width	500 mm	System dimension	125
Mounting/Fixing	Plug-in system for subsequent gluing	Output drive	round angular
Note	To achieve optimum flow performance, always use the deflectors with round pipe	Ventilation system	COMPAIR top
Shape	angular		