

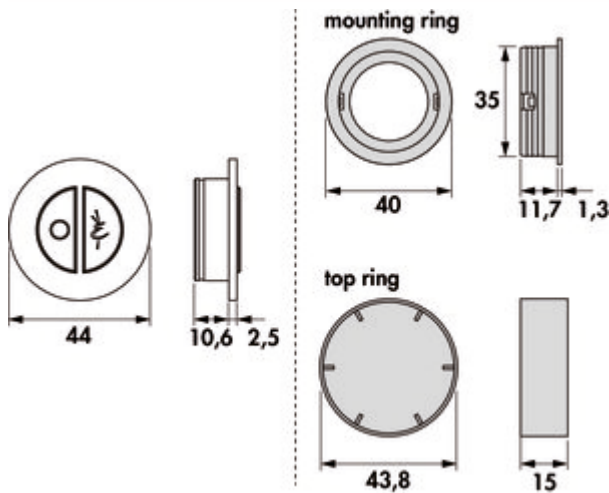
Branco radio remote control

Product number: 7062091

Configuration: silver

Configuration options

7062091 | silver



✓ Remote control

Radio remote control/wall switch with two switches. Several radio remote controls possible. Two-way switching can be realised.

- ON/OFF function
- infinitely variable brightness adjustment
- adjustment of colour temperature in three steps and infinitely variable
- 44 x 13.1 mm (Ø x D)
- can be used as a (earthing contact) socket insert, for installation or as a hand-held remote control
- drill Ø 35 mm
- can be used only in combination with FW function converter

[more infos...](#)

Technical data

Article type	Remote control	Shape	round
Drilling diameter	35 mm	Colour temperature adjustable	stepless
Width	44 mm	LIC system compatible	Yes
Transformer / converter required	Yes	Multiple radio remote controls possible	Yes
Connectivity	radio	Switching function	on/off function adjustment of colour temperature in three steps and infinitely variable
Note	can be used only in combination with FW function converter	Remote control design	Radio remote control/wall switch with two switches
Switch	Yes	Changeover switching can be implemented	Yes