



Kaiman

Product number: 3021092

Configuration: black matt

Configuration options

3021078 | stainless steel coloured

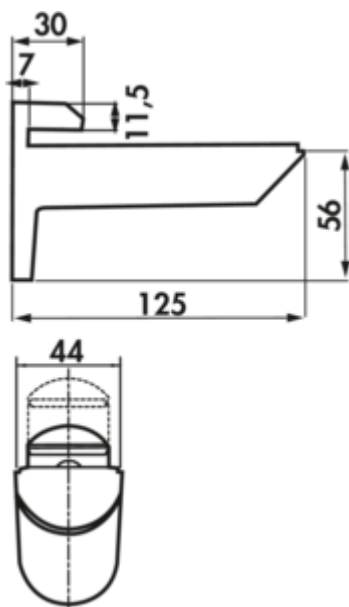
3021092 | black matt

✓ Shelf support

Shelf support.

- for plate thickness of 7–41 mm
- load-bearing capacity ca. 25 kg/supports for a depth of 320 mm
- bracket length 125 mm
- **only available in units of 2 pieces**

Order glass shelves separately.



[more infos...](#)

Technical data

Article type	Shelf support	Note	only available in units of 2 pieces Order glass shelves separately.
Height	56 mm	Further	No problem with slanted walls: Integrated mechanics enable uncomplicated tilt adjustment of "Kaiman"
Width	125 mm	Carrying capacity	load-bearing capacity ca. 25 kg/ supports for a depth of 320 mm
Mounting/Fixing	Wall mounting	Suitable panel thickness	7–41 mm