

## STEEL flow SF-RBV 150 pipe bend vertical 90°



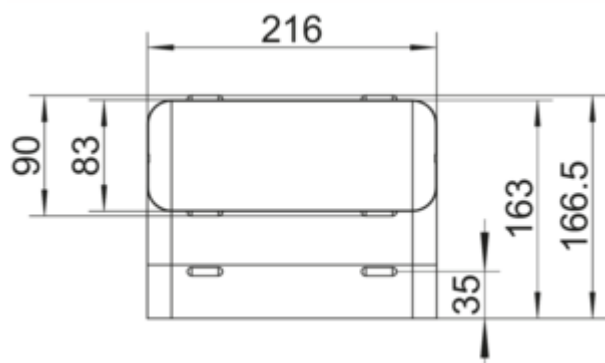
Product number: 4061013

Configuration: galvanized steel

### Configuration options

4061013 | galvanized steel

- ✓ Connecting element
- With guide vanes.
- suitable for flat ducts SF-VRO flex and SF-VRO



[more infos...](#)

### Technical data

Article type	Connecting element	Suitable for	suitable for flat ducts SF-VRO flex and SF-VRO
Brand	STEEL flow	Surface/coating	galvanised
Height	166,5 mm	Shape	angular
Width	216 mm	Outer diameter	150 mm
Material	galvanized steel	Ventilation system	COMPAIR STEEL flow <sup>®</sup> 150

