

Capitello 2

Product number: 3021075

Configuration: stainless steel, H 170 mm, tube Ø 45 mm

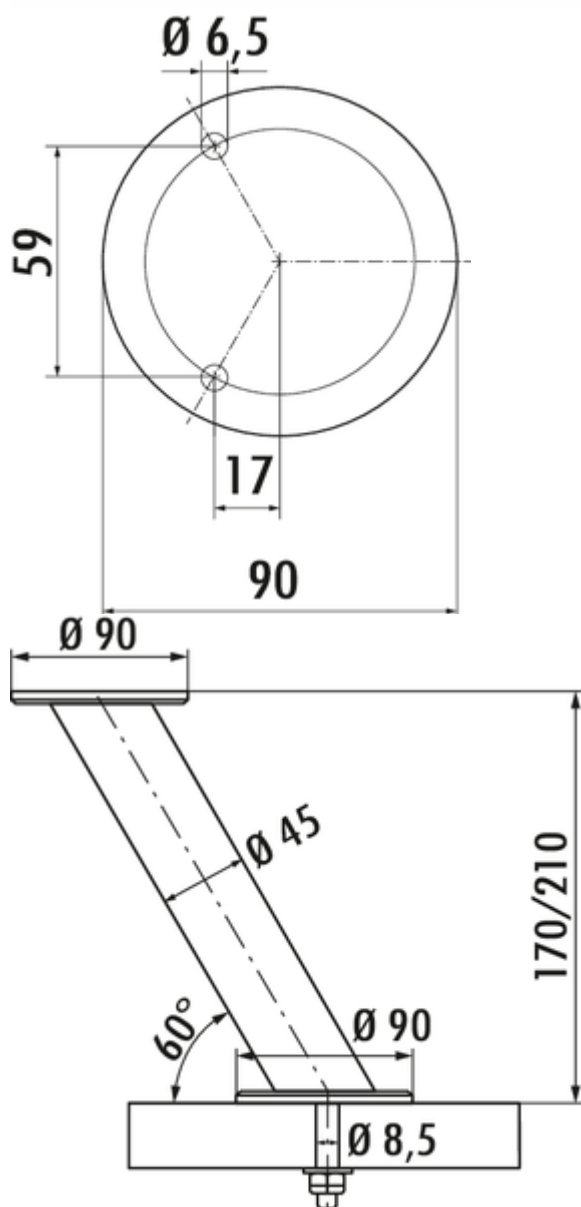
Configuration options

3021072 | chrome polished, H 170 mm, tube Ø 45 mm

3021073 | chrome polished, H 210 mm, tube Ø 45 mm

3021075 | stainless steel, H 170 mm, tube Ø 45 mm

3021076 | stainless steel, H 210 mm, tube Ø 45 mm



- ✓ Console
- ✓ round
- ✓ slanted

Console. With bolted connection.

— slanted

— max. load per pair approx. 40 kg given even distribution, max. spacing of the consoles of 900 mm and max. projection of the plates of 250 mm

When using the glass adapter disk (3021056) bonding should be performed by a glazier.



[more infos...](#)

Technical data

Article type	Console	Shape	round
Height	170 mm	Carrying capacity	max. load per pair approx. 40 kg given even distribution, max. spacing of the consoles of 900 mm and max. projection of the plates of 250 mm
Width	90 mm	Inclination angle	60°
Properties	rust-free	Outer diameter	90 mm
Mounting/Fixing	Screw fastening	Tube dimension	Ø 45 mm
Note	With bolted connection. When using the glass adapter disk (3021056) bonding should be performed by a glazier.	Support element version	slanted

Dimensional sketch (PDF)

