

Mira WA1

Product number: 7053048
Configuration: stainless steel

Configuration options

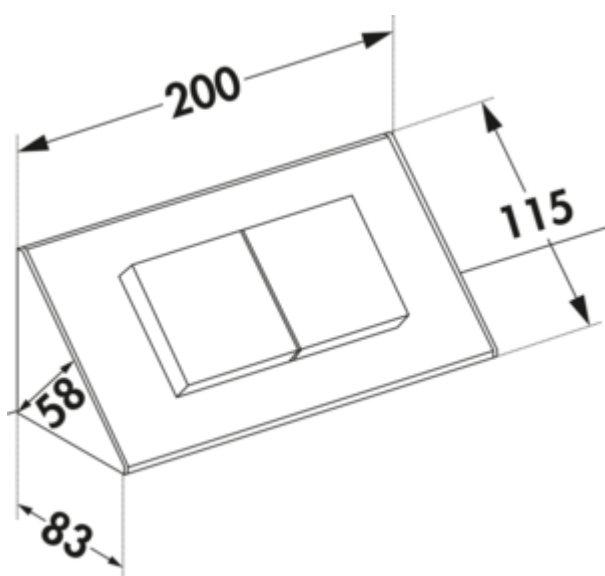
7053048 | stainless steel



- ✓ Surface-mounted socket element
- ✓ 2 x earthed plug socket
- ✓ angular

Socket element. 2-old. With flip lid.

- 240 V/16 A
- 200 x 83 x 83 mm (H x W x D)
- 2000 mm mains connection line, earthing contact plug enclosed loosely
- cable outlet back



[more infos...](#)

Technical data

Article type	Socket element	Shape	angular
Height	200 mm	Length of the supply line (primary)	2.000 mm
Width	83 mm	Installation depth	83 mm
Mains voltage	240 V/16 A	Version sockets	2 x earthed plug socket
Cable outlet	cable outlet back	Housing colour	Stainless steel
Properties	rust-free	Mains plug loosely enclosed	Yes
Mounting/Fixing	surface mounting	Cover/blind type	flip lid
Material housing	stainless steel	Type of socket element	Surface-mounted socket element
Certification	CE	Number of sockets (total)	2