

Nava 2

Product number: 1041062

Configuration: set (sink and Drive 1 faucet)

Configuration options

1015041 | stainless steel

1041062 | set (sink and Drive 1 faucet)

- ✓ Built-in sink
- ✓ Eccentric set
- ✓ 3½" basket strainer valve flush

Built-in sink. With draining surface, reversible. 3½" basket strainer valve flush, rotational excenter fitting.

— suitable for worktop thicknesses from 17 mm to 40 mm

— cut-out dimensions ca. 760 x 415 mm



[more infos...](#)

Technical data

Article type	Sink	Flushing radius (R)	10
Height	270 mm	Maximum worktop material thickness	40 mm
Width	780 mm	Material thickness worktop minimum	17 mm
Material	stainless steel	Number of tap holes	1
Cabinet width	450 mm	Armature bench	Yes
Cut-out dimension	approx. 760 x 415 mm	Number of holes	1
Excenter fitting	Eccentric set	Arrangement sinks	Reversible
Valve type	3½" basket strainer valve flush	Number of sinks	1 main sink
Overflow	Overflow in the main basin	Number of overflow points	1
Installation variant	Built-in sink	Draining board	With ribbed draining surface
Main sink width	340 mm	Garnish actuation	Rotational excenter
Height main sink	145 mm	Pelvic inner radius (R)	95
Depth main sink	370 mm		

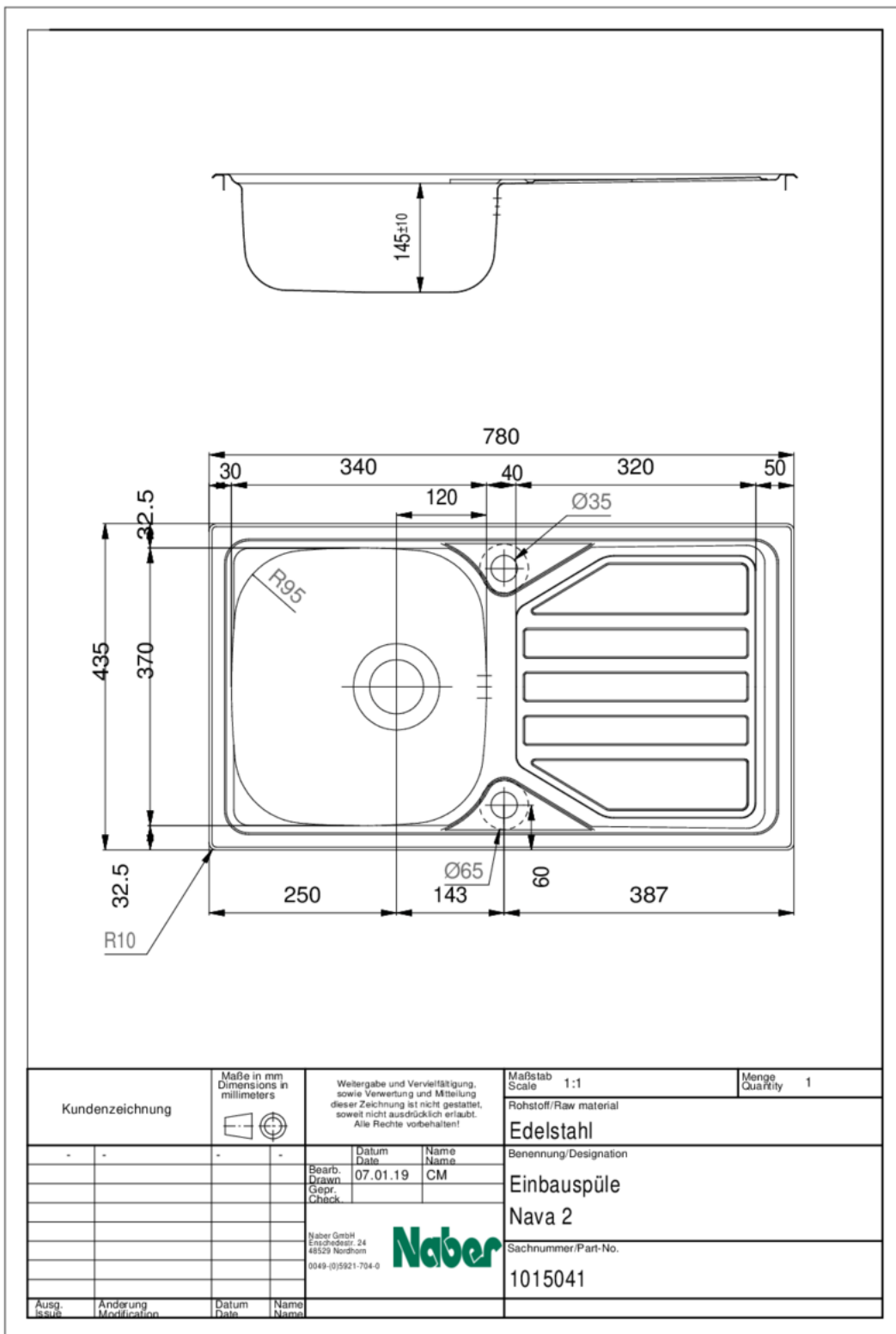
Spare Parts

1010050	Rotational excenter fitting, Drain fittings, 3½" basket strainer valve flush, for Nava 1–3
---------	--

Recommendations

5011060	Drive 1, Sink faucet, chrome, high pressure
1111141	Stainless steel system care, Cleaning agent,
1111142	Stainless steel cleaning agent Utral, Cleaning agent, 250 ml
1111143	Stainless steel care agent Edelglanz, Cleaning agent, 250 ml

Dimensional sketch (PDF)



Installation dimensions (PDF)

