

Double electrical box

Product number: 9015003

Configuration: aluminium coloured

Configuration options

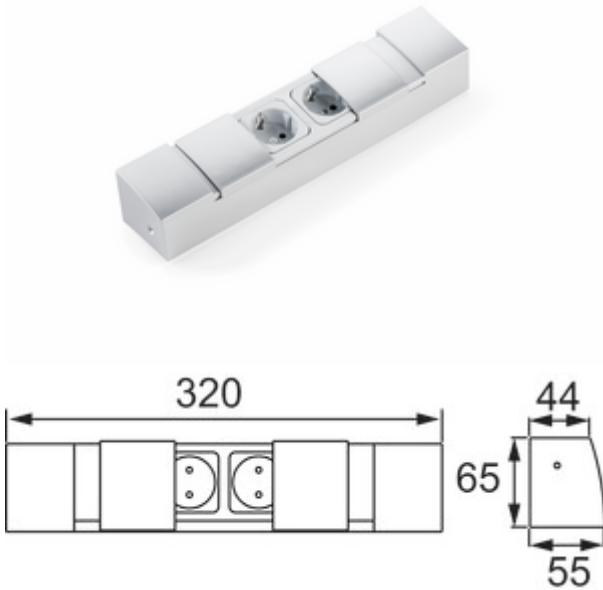
9015003 | aluminium coloured

- ✓ Surface-mounted socket element
- ✓ 2 x earthed plug socket
- ✓ angular

Socket element. 2-fold. With protective lid for increased safety. Convenient functional element for electrical power on the level of the worktop.

- 65 x 320 x 55 mm (H x W x D)
- with Wieland plug-in connector (without mains connection line)
- mains connection line 2 (7011134) order separately
- cable input right

When installing several electrical boxes next to each other, a minimum spacing of 100 mm between the electrical boxes is to be observed.



[more infos...](#)

Technical data

Article type	Socket element	Shape	angular
Warranty	5-year Naber warranty (except for wear parts); the general warranty conditions of Naber GmbH apply.	Version sockets	2 x earthed plug socket
Width	320 mm	Housing colour	aluminium coloured
Plug type	Wieland plug-in connector (without mains connection line)	Mains plug loosely enclosed	No
Cable outlet	cable outlet rear below side	Colour socket	aluminium coloured
Separate fuse	Yes	Cover/blind type	Sliding lid
Mounting/Fixing	surface mounting on the worktop	Type of socket element	Surface-mounted socket element
Note	When installing several electrical boxes next to each other, a minimum spacing of 100 mm between the electrical boxes is to be observed.	Number of sockets (total)	2
Certification	CE		

Accessories

7011134	Mains connection line 2, Connection line/element, white, L 2000 mm
---------	--------------------------------------------------------------------