

Undersink unit TR 3500

Product number: 6011043

Configuration: white

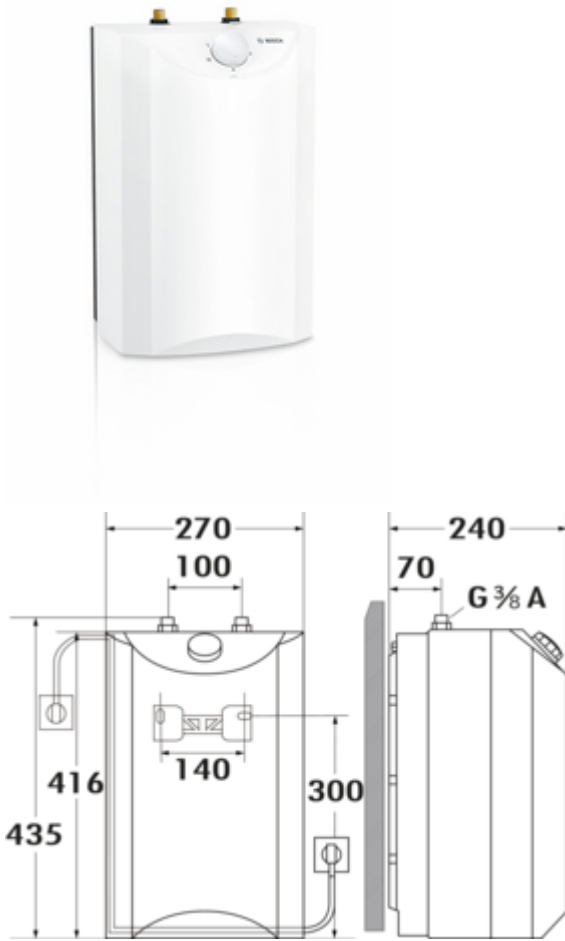
Configuration options

6011043 | white

- ✓ Hot water tank
- ✓ low pressure
- ✓ IP24D

Drip stop prevents dripping during heating, saves water and reduces lime scale. The pressure stop shows the calcification and recognises incorrect water connection from 0.25 MPa (2.5 bar).

- small water heater 5 litres, white. Open (pressure-free).
- with drip and pressure stop
- CLICKFIX assembly technology saves time and money
- container material in plastic with high-quality EPS expanded polystyrene insulation
- temperature continuously variable from approx. 35 °C to 85 °C with engaged positions at "s", "l" and "e" • frost protection setting
- power indicator lamp
- power-saving cover plate
- mixed water volume display on the power-saving cover plate
- the outlet of a faucet should always be free
- if possible, do not use a shower fitting
- high mixed water quantity 14 liters 40 °C hot water
- grounding contact easily accessible from the outside for the electrical safety testing according to BGV A3
- lowest standby power consumption of only 0.18 kWh/d
- secure metal water connections in brass, colour-coded
- switchable safety temperature limiter
- contact/moisture protection IP24D
- electricity supply 230 V, ready to plug in, connected load 2.2 kW
- weight with water 7.7 kg
- device dimensions (H x W x D) 435 x 270 x 240 mm



[more infos...](#)

Technical data

| | | |
|-------------------------|--|--|
| Article type | Hot water tank | Note the outlet of a faucet should always be free if possible, do not use a shower fitting ready to plug in, connected load 2.2 kW grounding contact easily accessible from the outside for the electrical safety testing according to BGV A3 |
| Height | 435 mm | |
| Operating pressure | low pressure | |
| Width | 270 mm | |
| Material | plastic | |
| Energy efficiency class | A | |
| Mains voltage | 230 V | |
| Protection class | IP24D | |
| Protection class | I | |
| Integrated display | power indicator lamp mixed water volume display on the power-saving cover plate | |
| Mounting/Fixing | CLICKFIX assembly technology saves time and money | Operating mode Cable |
| | | Certification CE VDE |
| | | Material connections brass |
| | | Temperature setting continuous temperature setting of 35–85 °C |
| | | Weight with water filling 16,975574 lb |
| | | Under-sink unit version With drip and pressure stop With frost protection setting "**" switchable safety temperature limiter |
| | | Standby energy consumption 0,18 kWh/d |
| | | Mixed water quantity 40 °C 14 l |
| | | Volume/Content 5 l |
| | | Material container plastic with high-quality EPS expanded polystyrene insulation |