

Undersink unit TR 3500

Product number: 6011043

Configuration: white

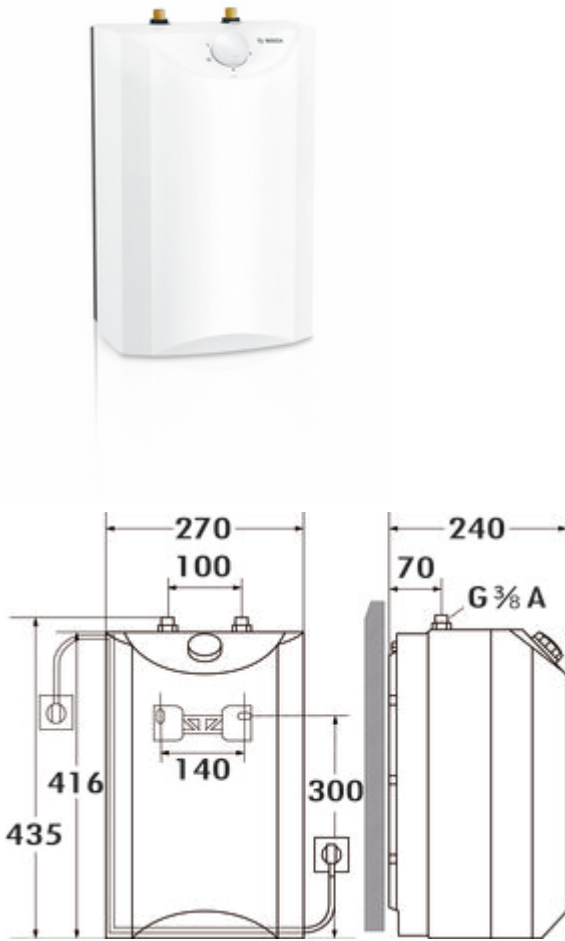
Configuration options

6011043 | white

- ✓ Hot water tank
- ✓ low pressure
- ✓ IP24D

Drip stop prevents dripping during heating, saves water and reduces lime scale. The pressure stop shows the calcification and recognises incorrect water connection from 0.25 MPa (2.5 bar).

- small water heater 5 litres, white. Open (pressure-free).
- with drip and pressure stop
- CLICKFIX assembly technology saves time and money
- container material in plastic with high-quality EPS expanded polystyrene insulation
- temperature continuously variable from approx. 35 °C to 85 °C with engaged positions at "H", "I" and "E" • frost protection setting
- power indicator lamp
- power-saving cover plate
- mixed water volume display on the power-saving cover plate
- the outlet of a faucet should always be free
- if possible, do not use a shower fitting
- high mixed water quantity 14 liters 40 °C hot water
- grounding contact easily accessible from the outside for the electrical safety testing according to BGV A3
- lowest standby power consumption of only 0.18 kWh/d
- secure metal water connections in brass, colour-coded
- switchable safety temperature limiter
- contact/moisture protection IP24D
- electricity supply 230 V, ready to plug in, connected load 2.2 kW
- weight with water 7.7 kg
- device dimensions (H x W x D) 435 x 270 x 240 mm



[more infos...](#)

Technical data

Article type	Hot water tank	Operating mode	Cable
Operating pressure	low pressure	Certification	CE VDE
Width	270 mm	Material connections	brass
Material	plastic	Temperature setting	continuous temperature setting of 35–85 °C
Energy efficiency class	A	Weight with water filling	16,975574 lb
Mains voltage	230 V	Under-sink unit version	With drip and pressure stop Resettable safety temperature limiter With frost protection setting
Protection class	IP24D	Standby energy consumption	0,18 kWh/d
Protection class	I	Mixed water quantity	40 °C 14 l
Integrated display	power indicator lamp mixed water volume display on the power-saving cover plate	Volume/Content	5 l
Mounting/Fixing	CLICKFIX assembly technology saves time and money	Material container	plastic with high-quality EPS expanded polystyrene insulation
Note	the outlet of a faucet should always be free if possible, do not use a shower fitting ready to plug in, connected load 2.2 kW grounding contact easily accessible from the outside for the electrical safety testing according to BGV A3		

Accessories

6011045	Flow meter, Measuring equipment, red
---------	--------------------------------------