

## iMove set Single Tray

Product number: 8031105

Configuration: for 900 mm cabinet, W 862 mm

### Configuration options

8031104 | for 600 mm cabinet, W 562 mm

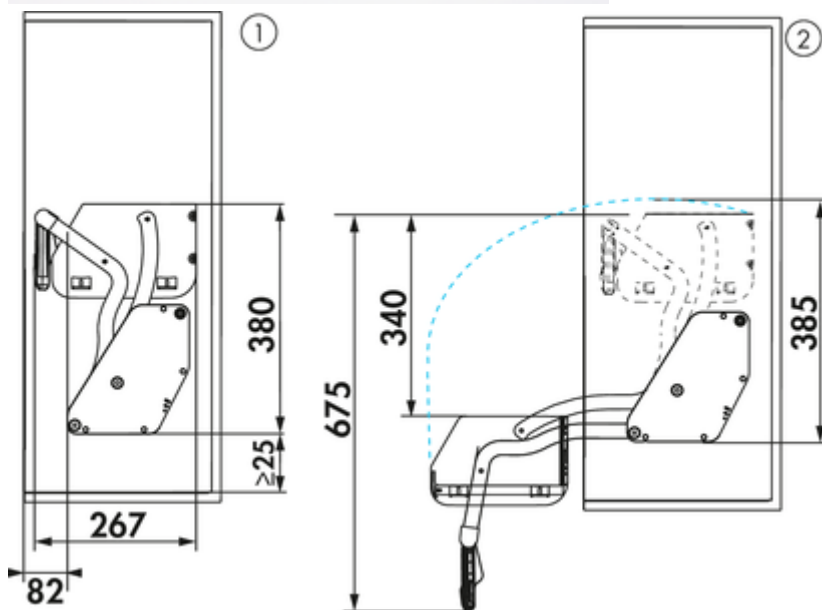
8031105 | for 900 mm cabinet, W 862 mm

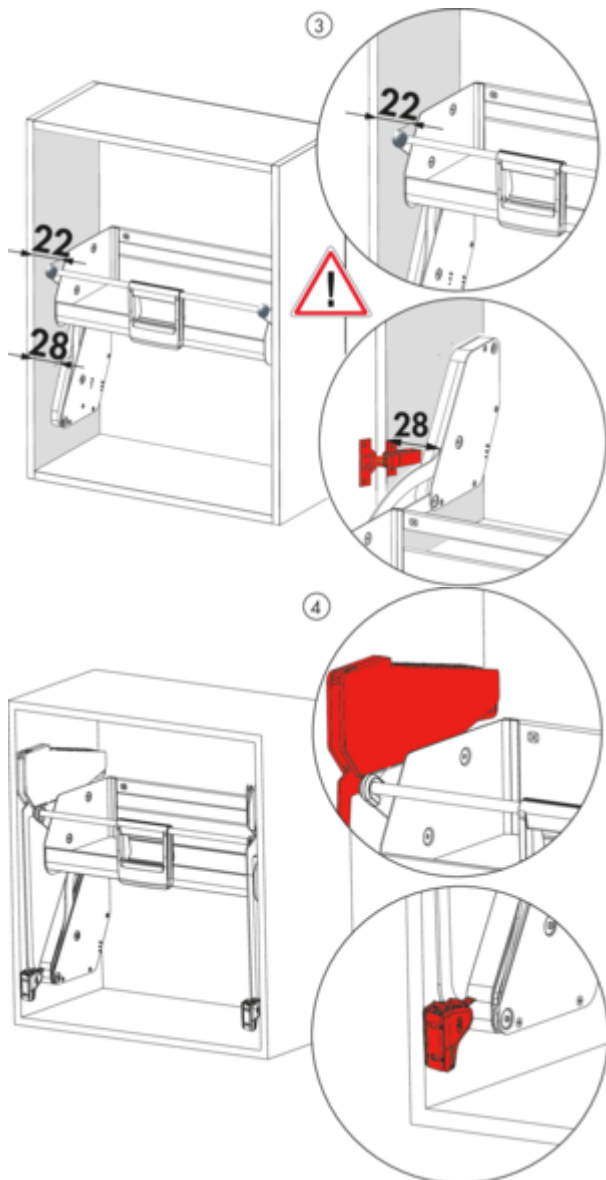
- ✓ Lift fitting
- ✓ load capacity up to 8 kg
- ✓ Cabinet width: 900 mm

Lift fitting. Silver. Incl. fittings (1 drilling template, 8 wood screws 4.5 x 50 mm). Suitable for retrofitting.

- minimum cabinet height\* (no upward limit)
- with hinged door: 520 mm
- with use of lift fittings: 650 mm
- suitable for 16 mm and 19 mm side walls
- load capacity up to 8 kg
- 380 x 267 mm (H x L)

\*\_x0007\_cabinet height depends on hinge position, hinge protrusion or lift fitting (see illustrations 1–4).





[more infos...](#)

**Technical data**

Article type	Lift fitting	Cabinet width	900 mm
Height	380 mm	Suitable for	suitable for hinged doors and lifting doors
Width	862 mm	Carrying capacity	load capacity up to 8 kg
Retrofitting possible	Yes	For sidewall thickness	16/19 mm
Mounting/Fixing	for hanging cabinets no adjustment necessary	Number of floors	1
Note	cabinet height depends on hinge position, hinge protrusion or lift fitting (see illustrations 1–4)	Soft closing	Yes
Further	suitable for retrofitting	Minimum cabinet height	with hinged door: 520 mm with use of lift fittings: 650 mm
Safety functions	finger protection		