

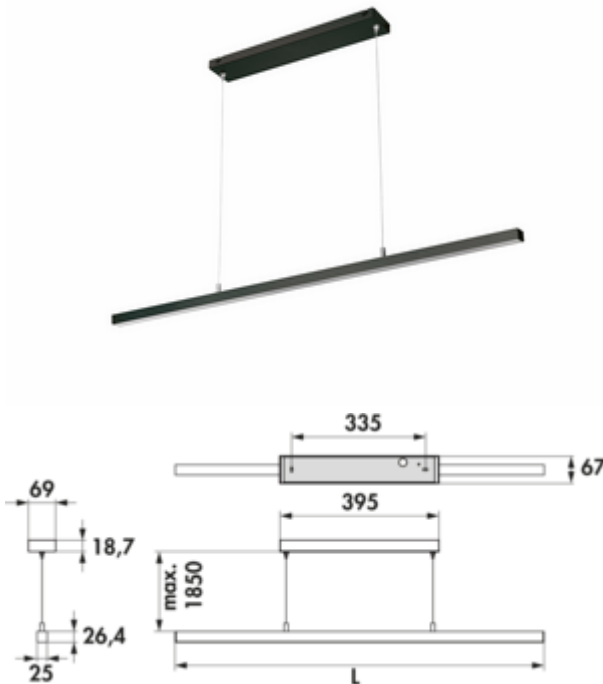
## Asta colour change LED

Product number: 7065058

Configuration: L 900 mm, 13.9 W, black matt

### Configuration options

- 7065055 | L 900 mm, 13.9 W, stainl. steel coloured
- 7065056 | L 1200 mm, 18.6 W, stainl. steel coloured
- 7065057 | L 1500 mm, 23.2 W, stainl. steel coloured
- 7065058 | L 900 mm, 13.9 W, black matt
- 7065059 | L 1200 mm, 18.6 W, black matt
- 7065060 | L 1500 mm, 23.2 W, black matt



- ✓ Pendant light
- ✓ 2700 K warm white to 6500 K cold white
- ✓ 13.9 watts

Pendant light. Aluminium body. Incl. FW functional converter 30 module 2 and 1-channel colour change remote control.

- 230 V
- stepless control of the light colour from **2700 K** warm white to **6500 K** cold white
- memory function: the last setting is saved
- dimmer function: brightness continuously dimmable
- **not dimmable with on-site dimmer**
- max. 84 lumen/watt at **6500 K** cold white
- suspension max. 1850 mm
- can be operated with the 1- or 4-channel radio remote control (7061285/7061276)
- LIC LED system compatible

**This product contains a light source of energy efficiency class G.** More information about the LIC/MEC LED system



[more infos...](#)

### Technical data

Article type	Luminaire	Colour temperature	2700 K warm white to 6500 K cold white
Height	26,4 mm	Type of dimming	brightness continuously dimmable
Width	900 mm	LIC system compatible	Yes
Energy efficiency class	G	Illuminant type	LED
Mains voltage	230 V	Light yield	max. 84 lumen/watt at 6500 K cold white
Transformer / converter required	Yes, included	Connection	One-sided
Mounting/Fixing	Ceiling mounting	Material cover	plastic
Material housing	aluminium	Cover colour	white
Shape	angular	Suspension	1850 mm
Memory function	Yes	Dimmable by on-site dimmer	No
Illuminant included	Yes	Design	Pendant light
Dimmer	Yes	Dimming function (composite)	Yes, brightness continuously dimmable
Housing colour	black matt	Illuminant power	13.9 watts

Dimensional sketch (PDF)

