

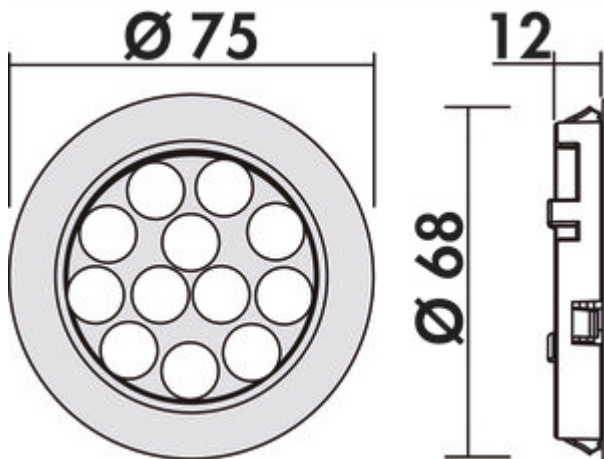
Nova Plus colour change LED

Product number: 7061334

Configuration: single lamp without switch, LIC/MEC LED system compatible, stainless steel col.

Configuration options

7061334 | single lamp without switch, LIC/MEC LED system compatible, stainless steel col.



✓ Surface-mounted lamp

✓ Built-in lamp

✓ 2700 K warm white to 6500 K cold white

Surface mounted lamp, built-in lamp, ceiling light. Plastic body, round, with Power LEDs.

By removing the spacer ring, it can also be used as a built-in lamp.

Individual lamp without switch

— 3 watts, 12 V

— continuous control of the light colour from 2700 K warm white to 6500 K cold white

— memory function: the last setting is stored

— dimmer function: brightness continuously dimmable

— max. 87 lumen/watt at 6500 K cold white

— 2000 mm supply line with mini-plug-in system

— drill Ø 68 mm, installation depth 12 mm

Set 2, 3, 5 with colour change LED Touch switch and dimmer consisting of:

— 2, 3 or 5 individual lamps without switch (7061334)

— 1 colour change LED Touch switch and dimmer (7061131)

— 1 LED converter 12 (7061025)

This product contains a light source of energy efficiency class G.

Weitere Informationen zum LIC LED-System



[more infos...](#)

Technical data

Article type	Luminaire	Illuminant included	Yes
Drilling diameter	68 mm	Dimmer	Yes
Width	75 mm	Housing colour	stainless-steel coloured
Energy efficiency class	G	Colour temperature	2700 K warm white to 6500 K cold white
Transformer / converter required	Yes, must be ordered separately	Colour temperature adjustable	stepless
Mounting/Fixing	Base unit installation (wall unit/shelf) installation surface mounting Ceiling mounting	Type of dimming	brightness continuously dimmable
Material housing	plastic	LIC system compatible	Yes
Certification	CE F-sign MM sign	Plug-in system	with mini plug-in system
Switch	No	Illuminant type	LED
Shape	round	Replaceable illuminant	No
Memory function	Yes	Light yield	max. 87 lumen/watt at 6500 K cold white
Length of the supply line (primary)	2.000 mm	Design	Surface-mounted lamp Built-in lamp
Outer diameter	75 mm	Dimming function (composite)	Yes, brightness continuously dimmable
Installation depth	12 mm	Illuminant power	3 watts

Accessories

7061131	Colour change LED Touch switch and dimmer, Switch, stainless steel coloured
7061025	LED converter 12, grey
7061049	LED connection line, Connecting element, white, L 2000 mm
7062250	LED converter 2430, white
7061403	MEC Driver LED converter, 60/72 W, 12/24 V
7061426	MEC Driver LED 1-channel module radio/ZigBee, Accessory, 12 V
7061428	MEC Driver LED 4-channel module radio/ZigBee, Accessory, 12 V
7061431	MEC Driver LED remote control 1+4 channel ZigBee, white