



## PRIME flow P-RBV 150 pipe bend vertical 90° short

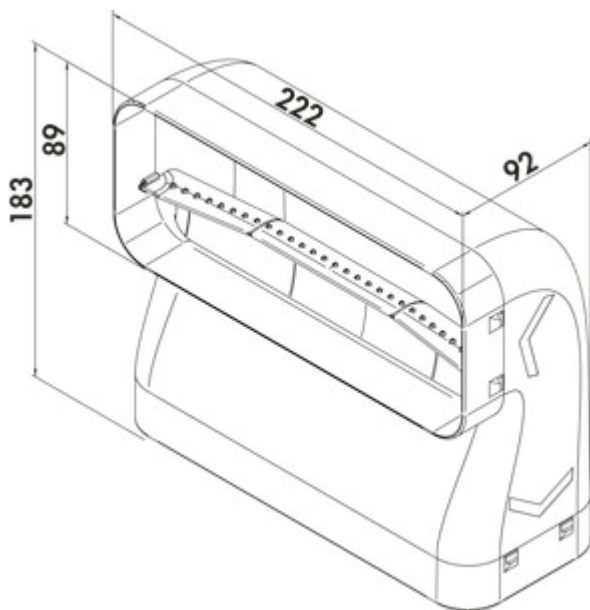
Product number: 4051033

Configuration: light grey

### Configuration options

4051033 | light grey

- ✓ Connecting element
- ✓ N-click system with integrated latching elements
- connection to downdraft ventilation systems at a worktop depth of 600 mm
- for space-saving deflection in the base area
- N-click system for a secure connection to the universal connector
- with optimised guide vanes
- improved flow technology



[more infos...](#)

### Technical data

Article type	Connecting element	System dimension	150
Brand	PRIME flow	Output drive	angular
Width	222 mm	Ventilation system	COMPAIR PRIME flow <sup>®</sup>
Mounting/Fixing	N-click system with integrated latching elements		

