

Pertura colour change LED

Product number: 7061241

Configuration: single lamp w. switch, L 2600 mm, black matt

Configuration options

7061240 | single lamp w. switch, L 2600 mm, stainless steel coloured

7061241 | single lamp w. switch, L 2600 mm, black matt

7061296 | single lamp w. s., L 1500 mm, stainless steel coloured

7061297 | single lamp w. switch, L 1500 mm, black matt

- ✓ linear light
- ✓ Under-cabinet/niche light
- ✓ 2700 K warm white to 6500 K cold white

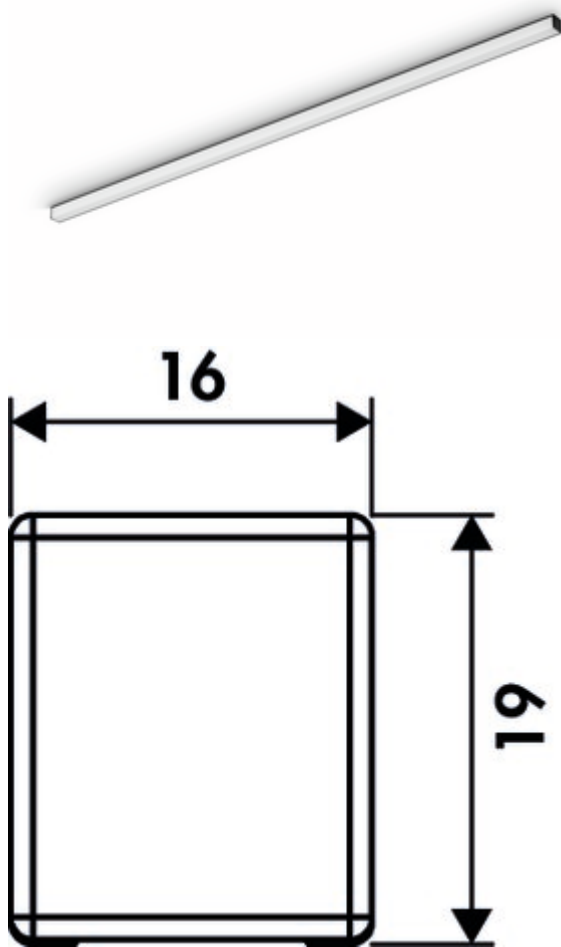
Lamp mounted from below. Aluminium body, plastic cover opal white, LED profile, homogenous illumination without visible LED points.

Individual lamp without switch

- 12 watts per meter
- continuous control of the light colour from 2700 K warm white to 6500 K cold white
- max. 92 lumen/watt at 6000 K cold white
- LED strip loose, not used in profile
- can be shortened every 25 mm, two-sided feed-in
- 2000 mm two-sided supply line
- 4 end caps enclosed separately
- connection to 12 V converter with colour change control
- LIC/MEC LED system compatible

This product contains a light source of energy efficiency class G.

More information about the LIC/MEC LED system



[more infos...](#)

Technical data

Article type	Luminaire	Mains plug loosely enclosed	Yes
Width	2.600 mm	Colour temperature	2700 K warm white to 6500 K cold white
Energy efficiency class	G	Colour temperature adjustable	stepless
Transformer / converter required	Yes, must be ordered separately	LIC system compatible	Yes
Mounting/Fixing	Base unit installation (wall unit/shelf)	Illuminant type	LED
Material housing	aluminium	Replaceable illuminant	Yes
Switch	No	Light yield	max. 92 lumen/watt at 6000 K cold white
Shortenability	may be shortened every 25 mm	Connection	On both sides
Shape	angular	Material cover	plastic
Length of the supply line (primary)	2.000 mm	Cover colour	opal white
More parts	incl. 4 end caps	Homogeneous light field without visible LED points	Yes
Illuminant included	Yes	Design	linear light Under-cabinet/niche light
Housing colour	black matt	Power per metre	12 watts

Accessories

7061049	LED connection line, Connecting element, white, L 2000 mm
7061307	Pertura colour change LED strip, Luminaire, L 2600 mm
7061286	FW function converter, module 2 (radio), 15 W, 4-way distributor
7061271	FW function converter, module 2 (radio), 30 W, 6-way distributor
7061273	FW function converter, module 2 (radio), 60 W, 6-way distributor
7061287	FW function converter, module 3 (Bluetooth + radio), 15 W, 4-way distributor
7061281	FW function converter, module 3 (Bluetooth + radio), 30 W, 6-way distributor
7061283	FW function converter, module 3 (Bluetooth + radio), 60 W, 6-way distributor
7061285	1-channel colour change remote control, white
7061403	MEC Driver LED converter, 60/72 W, 12/24 V
7061426	MEC Driver LED 1-channel module radio/ZigBee, Accessory, 12 V
7061428	MEC Driver LED 4-channel module radio/ZigBee, Accessory, 12 V
7061431	MEC Driver LED remote control 1+4 channel ZigBee, white