

WESCO® Table frame ATG420

Product number: 3032257

Configuration: stainless steel-coloured brushed

Configuration options

3032257 | stainless steel-coloured brushed

3032258 | black matt

- ✓ Table frame
- ✓ Table frame
- ✓ Carrying capacity: 120 kg

Frame in contemporary design.

— profile foot 100 x 30 mm

— frame dimensions 720 x 100 x 800 mm (H x W x D)

— 1 PU = 1 skid

All items are manufactured to order in Germany based on customer requirements.

Max. load bearing capacity: 120 kg (per pair)

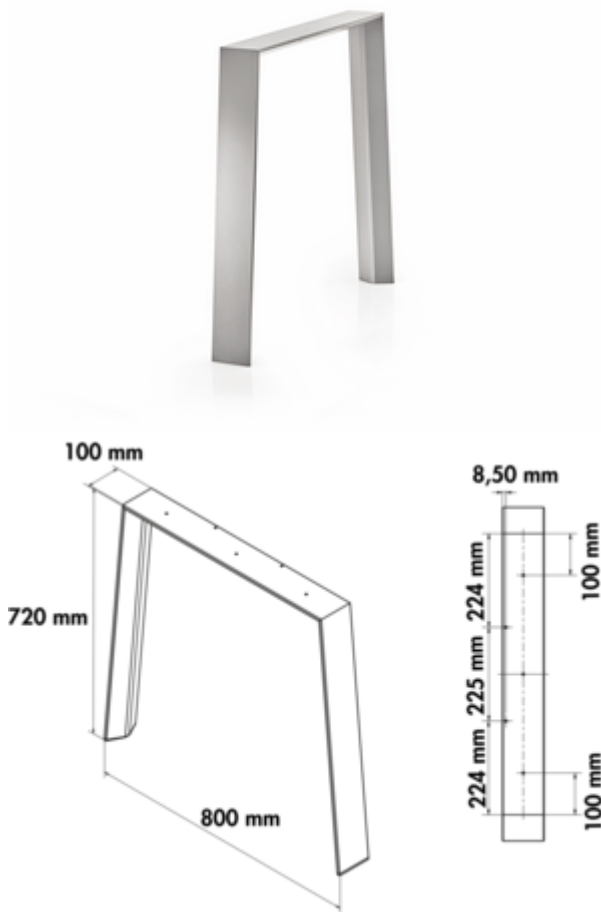
Max. dimensions of the table top: 2400 x 1200 mm

Use of glass, ceramic and granite plates not possible.

Dimensions for custom-made frames (3504999):

min. 250 x 400 mm (H x D)

max. 1100 x 1200 mm (H x D)



[more infos...](#)

Technical data

Article type	Table frame	With mounting plate	Yes
Brand	WESCO®	Preparation for	APL plate
Height	720 mm	Dimensions profile	100 x 30 mm
Width	100 mm	Dimensions profile foot/floor plate	100 x 30 mm
Material	aluminium	Dimensions upper mounting plate	100 x 673 mm
Note	All items are manufactured to order in Germany based on customer requirements. Use of glass, ceramic and granite plates not possible. table top not included in scope of delivery	Top width	673 mm
Suitable for	freestanding tables	Width below	800 mm
Surface/coating	brushed	Max. Dimensions for table top	2400 x 1200 mm
Shape	slanted	Height without APL	720 mm
Frame type	Table frame	Carrying capacity	120 kg