

Rear wall spacer bar

Product number: 1111146

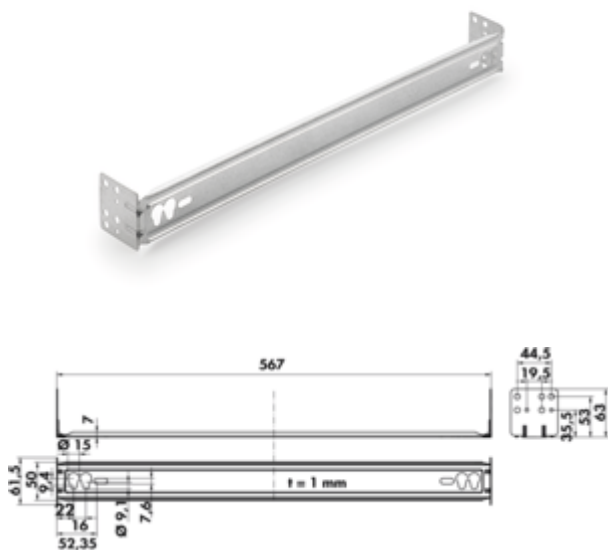
Configuration:

Configuration options

1111146 |

- ✓ Connecting materials
- ✓ Material: galvanized steel

For reinforcing cupboards without back panel, attachment to wall or inner cupboard walls – also for cooker conversions.



Technical data

Article type	Connecting materials	Mounting/Fixing	screwable cabinet wall Wall mounting
Height	63 mm	Suitable for	For reinforcing cupboards without back panel also for cooker conversions
Width	567 mm	Shape	angular
Material	galvanized steel		

[more infos...](#)