



Outlet valve

Product number: 5031009
Configuration: 3/8", chrome

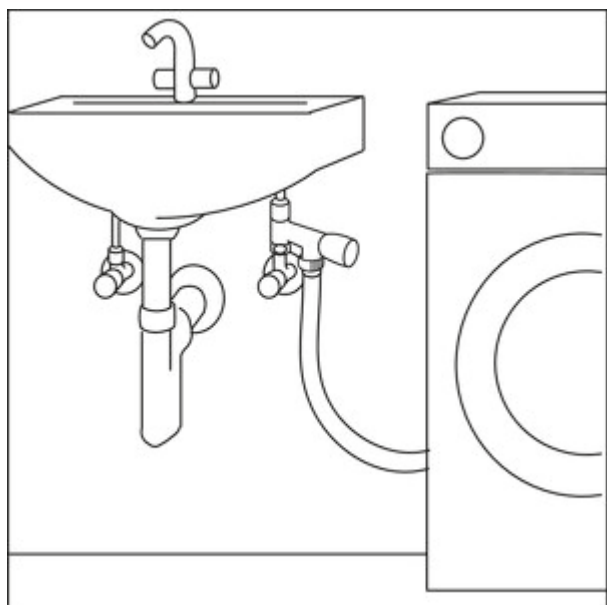
Configuration options

5031009 | 3/8", chrome

✓ Corner valve

For corner valve connection, with crown grip and length compensation connection, incl. return flow inhibitor.

— suitable for copper pipe 10 mm



[more infos...](#)

Technical data

Article type	Corner valve	With length compensation	Yes
Suitable for	for copper pipe 10 mm for corner valve connection	Type handle	crown grip
Backflow preventer	Yes	Thread	3/8"