

## Cox<sup>®</sup> Base 360 R/600-2

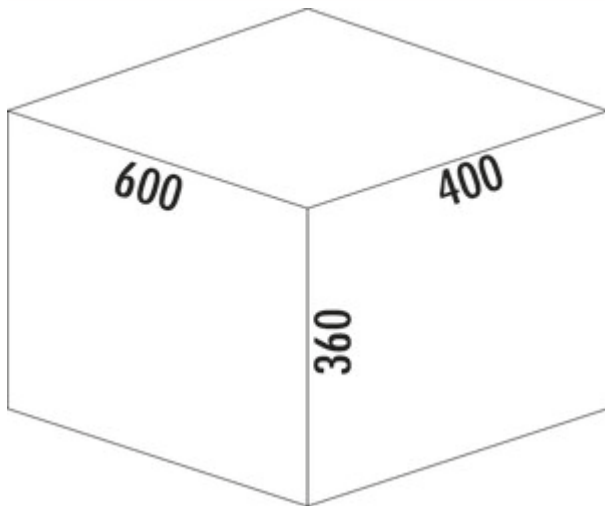
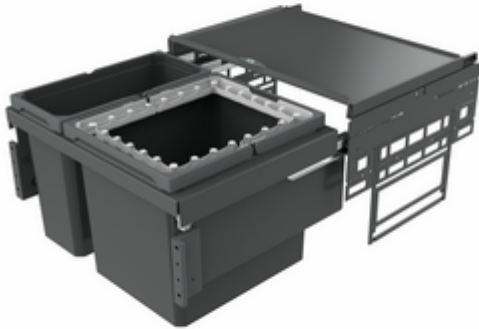
Product number: 8013406

Configuration: anthracite, H 360 mm

### Configuration options

8012406 | light grey, H 360 mm

8013406 | anthracite, H 360 mm



✓ Front pull-out system

✓ full pull-out

✓ 45 l

With pull-out complete lid.

— guide rail depth 470 mm

— waste capacity 45 (1 x 29/1 x 16) liters

— technology: full pull-out

— fitting: cabinet wall and front panel

— incl. top frame for bag attachment

— with soft retraction and damping

[more infos...](#)

### Technical data

Article type	Waste collection system	Total volume	45 l
Width	600 mm	Volume/content container 1	29 l
Mounting/Fixing	cabinet wall front panel	Volume/content container 2	16 l
Cabinet width	600 mm	Soft closing	Yes
Shape	angular	Design	Front pull-out system
Material container	plastic	Volume/Content container	29/16
Cover	Yes	Retractable total cover	Yes
Lid type(s)	Complete lid	Guide rail depth	470 mm
Number of containers	2	Locking mechanism	With damper
Opening technology	full pull-out		

### Accessories

8012368	Cox Cick-E <sup>®</sup> 600, Accessory, W 600 mm, dark grey/chrome matt
8012367	Cox Cick <sup>®</sup> , Accessory, dark grey/chrome matt

**Spare Parts**

8012335	Cox® system container, Single bucket, light grey, 29 liters
8012321	Cox® system container, Single bucket, light grey, 16 liters
8010146	Complete lid, Accessory, silver
8012337	Top frame, Accessory, light grey, for 18/ 29/ 39 liters

Installation dimensions (PDF)

Pos.	Abbildung	Anz.	Bezeichnung	Artikel-Nr.	Material	RAL
1		2	Montageplatte	801 0007	ABS	7042
2		1	Roller silber 600_400_20		DC01	9006
3		1	Gesamtdockel silber 600	801 0146	DC01/DC12	9006
4		1	Frontwinkel L	801 0150	Stahl verzinkt	7042
5		1	Abdeckung L	801 0161	PA 6	7042
6		1	Frontwinkel R	801 0150	Stahl verzinkt	7042
7		1	Abdeckung R	801 0161	PA 6	7042
8		4	Mutter		Stahl verzinkt	
9		4	Moodygriffschraube		Stahl verzinkt	
10		4	Anreissungsschraube	801 0155	Zink-Duroquab	
11		1	Schiene Grass Nova pro 450 L	801 0026	Stahl verzinkt	
12		1	Schiene Grass Nova pro 450 R	801 0026	Stahl verzinkt	
13		2	Aufsatzrollen hellgrau	801 2237	ABS + UV Stabilisator	7047 + 7042
14		1	Ersatzroller hellgrau 29 L	801 2235	PP + PA6 GF 30%	7047 + 7042
15		1				

**Kundenzusatz**  
 Kundenzeichnung:   
 Material:   
 Zeichnung:   
 Technische Zeichnung:   
 CAD:   
 15.07.18  
 CMI

**Bestellnummer**  
 Best.-Nr.: 8012406  
 Beschreibung: Cox Base 360 R\_600-2  
 Zeichnungs-Nr.: 8012406

**Naber**  
 Naber GmbH  
 Enschedestr. 24  
 DE-48529 Nordhorn