

VersaLid

Product number: 7053271

Configuration: lid white matt

Configuration options

7053270 | lid aluminium anodised

7053271 | lid white matt

7053272 | lid black matt

7053301 | with Belgian/French sockets, lid aluminium anodised

7053302 | with Belgian/French sockets, lid white matt

7053303 | with Belgian/French sockets, lid black matt

- ✓ Built-in socket element
- ✓ 2 x earthed plug socket
- ✓ angular

Socket element. 2-fold. For installation in worktop, front panel or side wall.

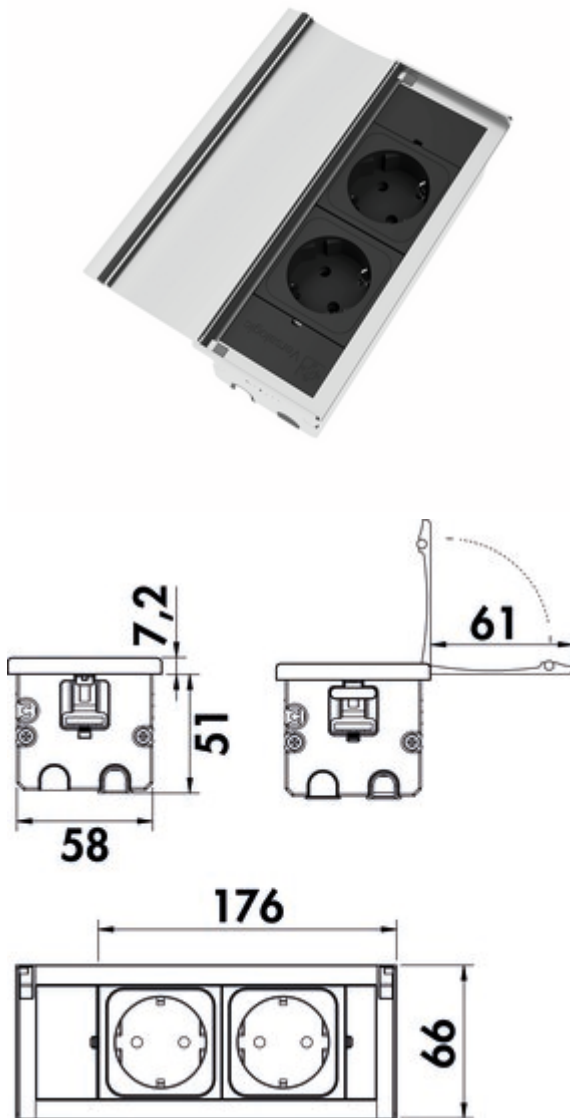
— cut-out dimensions approx. 167 x 59 mm

— installation depth approx. 51 mm

— for panel thickness from 15mm

— 2000 mm mains connection line, earthing contact plug enclosed loose

— cable outlet can be horizontal and vertical at the bottom



[more infos...](#)

Technical data

Article type	Socket element	Shape	angular
Width	176 mm	Length of the supply line (primary)	2.000 mm
Cable outlet	cable outlet bottom horizontal and vertical	Installation depth	approx. 51 mm
Mounting/Fixing	in the worktop front panel side wall Claw attachment	Version sockets	2 x earthed plug socket
Note	can be retrofitted from above	Mains plug loosely enclosed	Yes
Material fascia	aluminium	Colour bezel	white matt
Certification	CE	Type of socket element	Built-in socket element
With earthing contact plug	Yes	Number of sockets (total)	2
Cut-out dimension	approx. 167 x 59 mm	Worktop thickness	from 15 mm