

## Light profile colour change LED

Product number: 7061039

Configuration: single lamp, aluminium coloured

### Configuration options

7061039 | single lamp, aluminium coloured

- ✓ ambient light
- ✓ Base light/niche light
- ✓ LED Stripe

Ambient light. Aluminium body, self-adhesive LED strip, can be shortened every 50 mm, can also be cut to mitre, no visible LED.

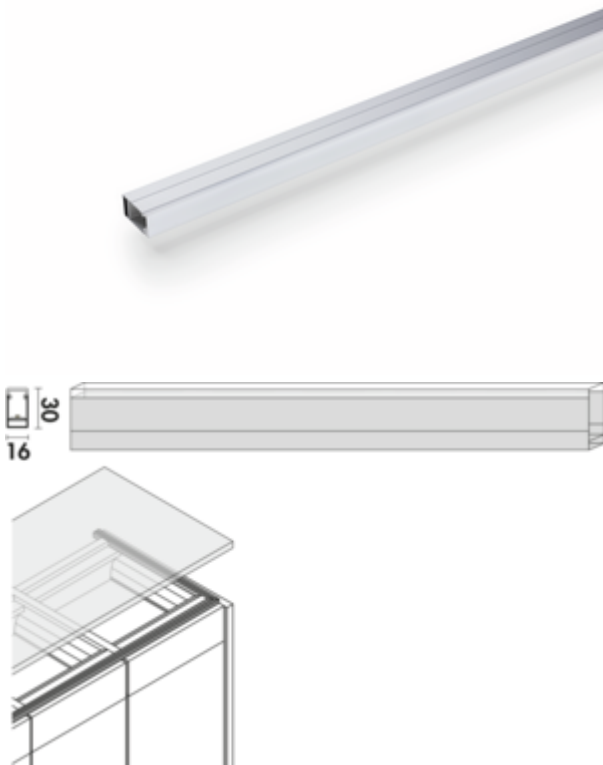
### Individual lamp

- 7.8 watts per meter, 12 V
- continuous control of the light colour from **2700 K** warm white to **6500 K** cold white
- max. 80 lumen/watt at **6500 K** cold white
- light length 2600 mm
- 2000 mm two-sided supply line
- LED strip 2600 mm, two-sided feed-in
- LIC/MEC LED system compatible

**This product contains a light source of energy efficiency class F.**

**The work top has to be lined on site with 16 mm wooden slats.**

More information about the LIC/MEC LED system



[more infos...](#)

### Technical data

Article type	Luminaire	Illuminant included	Yes
Height	16 mm	Housing colour	aluminium
Width	2.600 mm	Colour temperature	2700 K warm white to 6500 K cold white
Energy efficiency class	F	Colour temperature adjustable	stepless
Transformer / converter required	Yes, must be ordered separately	LIC system compatible	Yes
Mounting/Fixing	self-adhesive surface mounting	Illuminant type	LED
Note	The work top has to be lined on site with 16 mm wooden slats.	Replaceable illuminant	No
Material housing	aluminium	Light yield	80 lumen/watt at 6500 K cold white
Switch	No	Connection	On both sides
Shortenability	may be shortened every 50 mm	Homogeneous light field without visible LED points	Yes
Shape	straight	Design	ambient light Base light/niche light LED Stripe
Length of the supply line (primary)	2.000 mm	Power per metre	7.8 watts